



TM SINCE 1982

www.westernmule.com

MODEL: M2000

Lifting Capacity: 2,000 lbs.

FEATURES

- ▶ Gas Spring Lift-Assisted Boom
- ▶ 2,000 lbs. Maximum Lifting Capacity
- ▶ Low Profile Design
- ▶ 12 Position Manually Adjustable Boom
- ▶ 6' Horizontal Boom Reach
- ▶ 360° Manual Rotation
- ▶ Positive Rotation Lock - 12 Fixed Points



- ▶ 12V-DC Powered, Up/Down, with Dual Internal Braking
- ▶ Double-Line, 35' x 3/16" Galvanized Aircraft Cable and Safety Hook
- ▶ 10' Detachable Remote Pendant Control
- ▶ Light-Gray Powder Coat Finish
- ▶ 1-Year Warranty

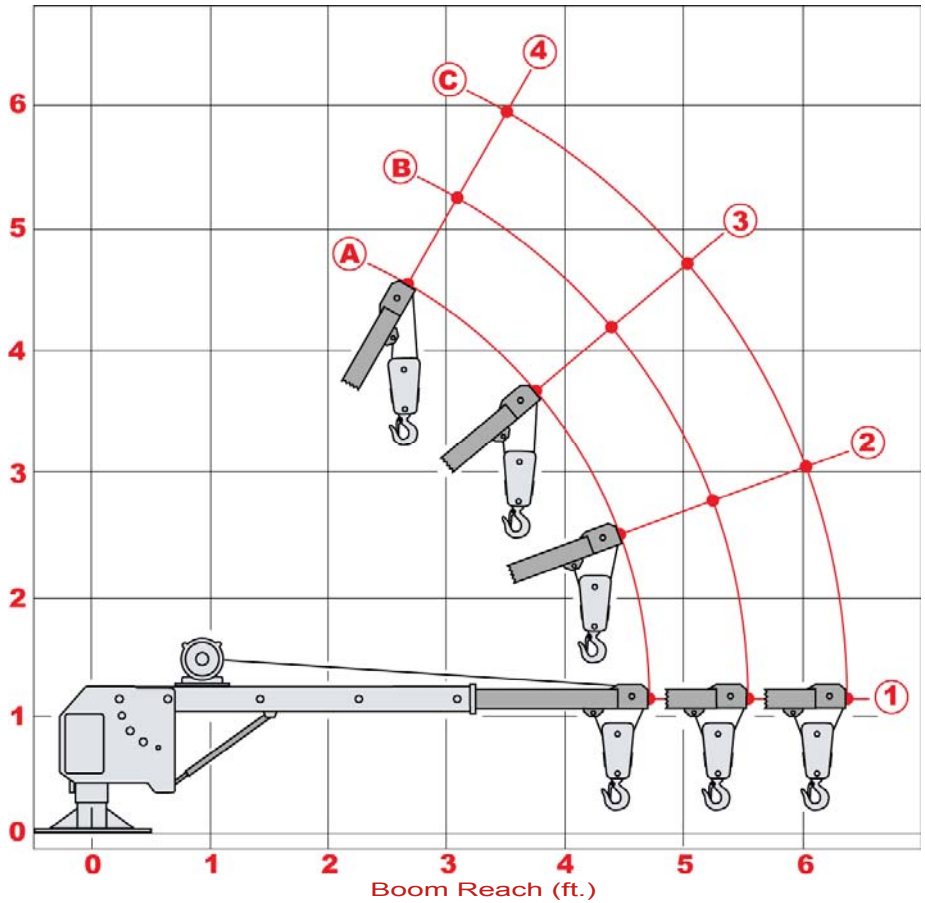
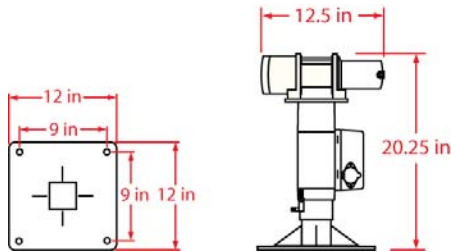


*Shown above with Tall Pedestal for Pickup Bed Mounting (WO-8022).
Custom Pedestal Heights (WO-8026) and custom configurations available.*

Load Chart

Boom Position	A	B	C
4	2000	1900	1750
3	1775	1625	1450
2	1500	1375	1175
1	1350	1125	900

Capacity in Lbs.

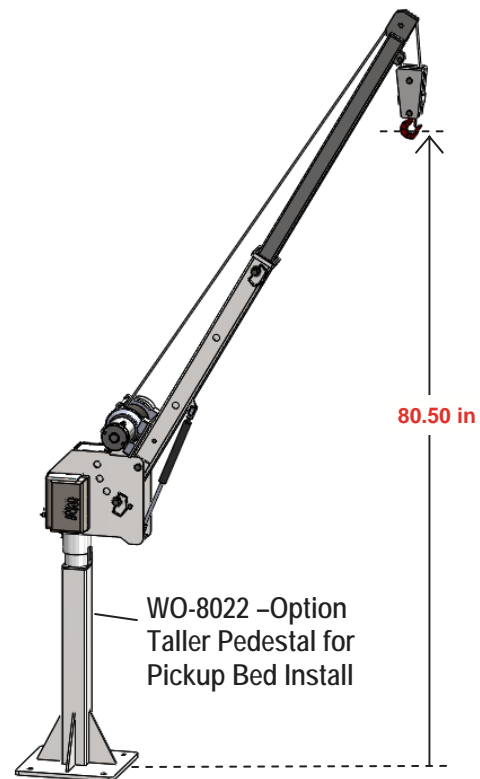


SPECIFICATIONS

Lifting Capacity (maximum)	2,000 lbs.
Power Requirements	12V-DC, 80 Amp Max.
Circuit Breaker	Included
Boom Maximum Reach	72"
Boom Extension	3-Positions
Boom Angles	0°, 20°, 40°, 60°
Rotation	360° Manual
Rotation Lock	12-Position
Bearings	3 Bearings
Lifting Cable	35' x 3/16" (Double-line)
Control	10' Remote (Detachable)
Mounting Base	12" x 12" (9" x 9" bolt space)
Finish	Lt. Gray Powder-Coat
Weight of Crane / Ship Weight	205 / 245 lbs.
Warranty (excludes lifting cable)	1-Year

OPTIONS

Part #	Description
WA-26	Boom Rest
WO-34	Fold-Down Adjustable Outrigger
WO-39	Wireless Remote Control
WO-8022	Taller Pedestal for Pickup Bed Install
WO-8026	Custom Pedestal Height



We reserve the right under the Product Improvement Policy to change specifications without notice or reference to specification used herein.

R217

