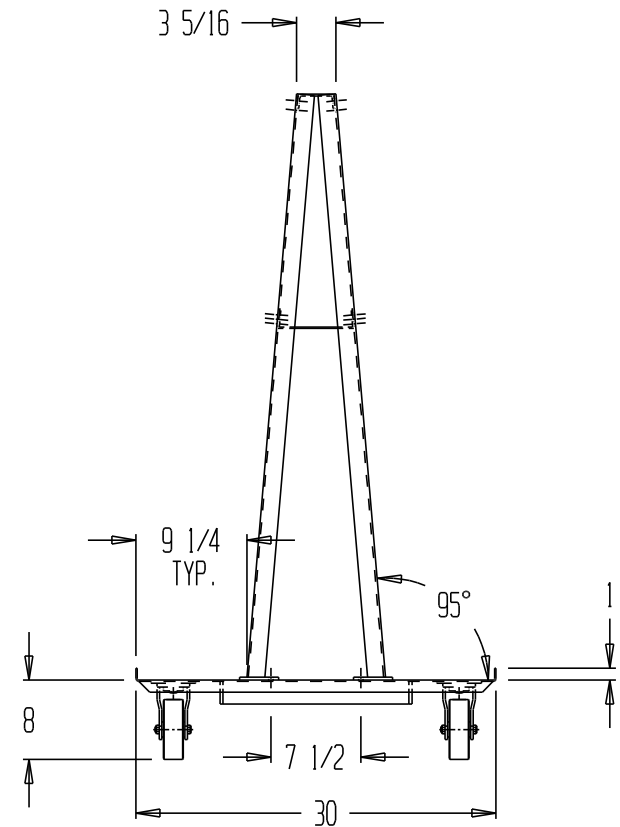
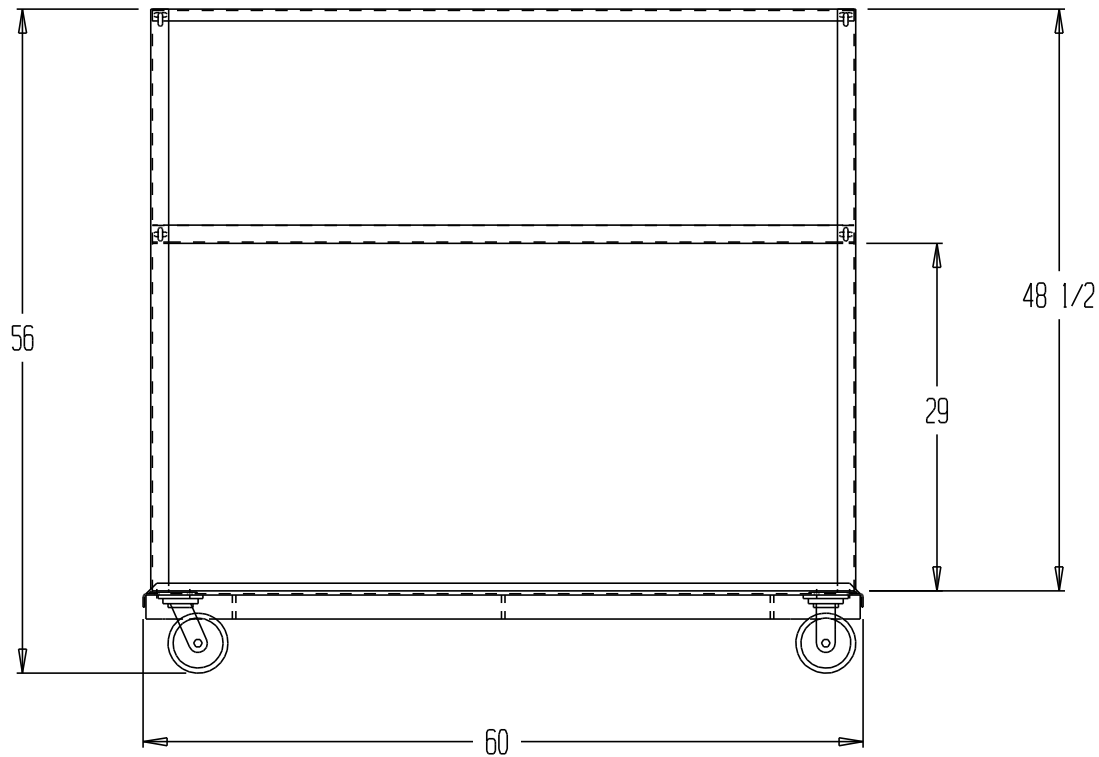


# A-FRAME CART - AF-3048



## STANDARD FEATURES

MODEL NUMBER AF-3048  
 OVERALL WIDTH IS 30 INCHES  
 OVERALL LENGTH IS 48 INCHES  
 OVERALL HEIGHT IS 56 INCHES  
 PLATFORM HEIGHT IS 8 INCHES  
 CAPACITY IS 2,000 POUNDS  
 LIP HEIGHT IS 1 INCH  
 CASTERS ARE 5 x 2  
 (2 SWIVEL & 2 RIGID)  
 SHIPS BROKEN DOWN

## SPECIAL FEATURES

NONE

LEAD TIME WILL START UPON  
 RECEIPT OF SIGNED APPROVAL  
 DRAWING

## APPROVAL

I, the undersigned, hereby approve this print  
 As drawn     As marked  
 This includes my approval of design & dimensions.  
 Signed: \_\_\_\_\_  
 Date: \_\_\_\_\_

\*\*SPECIAL UNITS ARE NON-RETURNABLE  
 \*AVAILABLE AT ADDITIONAL COSTS

DISTRIBUTOR'S NAME:		P.O.#: _
<b>VESTIL MANUFACTURING</b>		W.O.#: _
DRAWN BY: KY	DATE: 1/13/05	SALES: _
REFERENCE:		DRWG./FILE NAME:
-		16-007-032

SCALE: 1:16