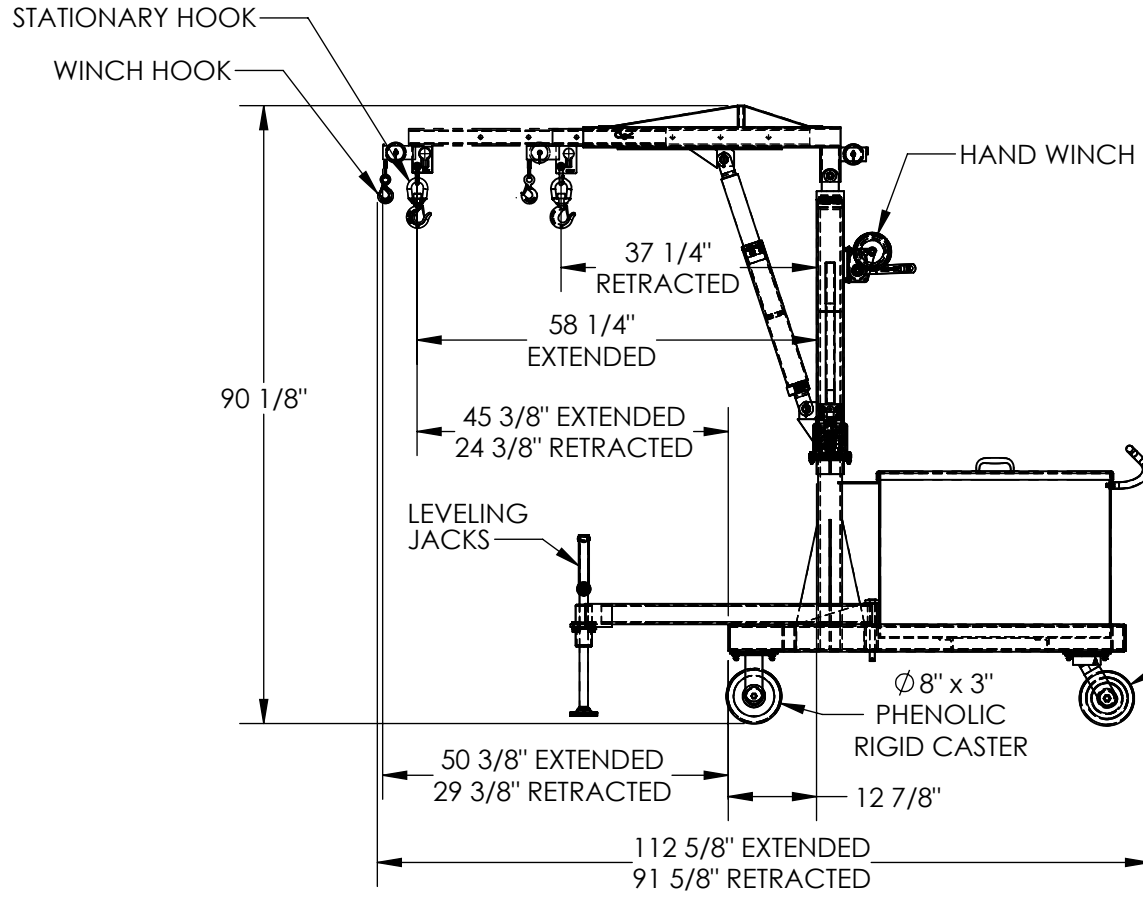
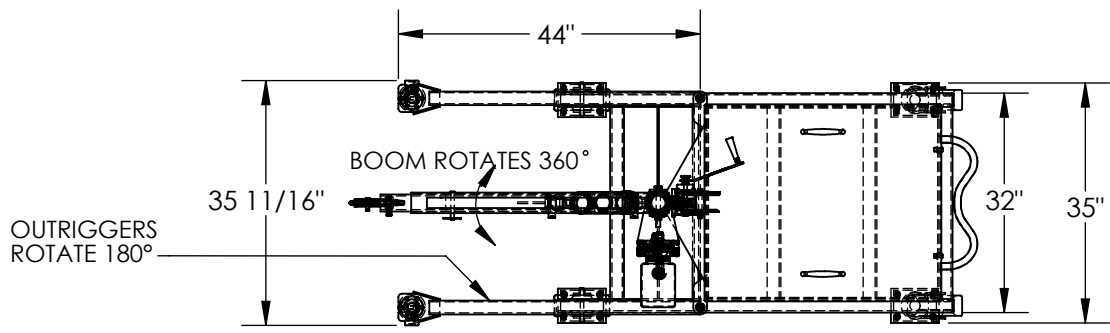


PORTABLE CANTILEVER HOIST - P-JIB-4

APPROX WEIGHT: 900.65 lbs.
DOES NOT INCLUDE WEIGHT OF POWER OR PACKAGING!!!

ANY ADDITIONS, DELETIONS, OR OMISSIONS MUST BE CORRECTED ON THIS DRAWING AS THIS DRAWING WILL BE CONSIDERED ALL INCLUSIVE



STATIONARY HOOK POINT	STATIONARY HOOK CAPACITY
24 3/8"	4,000
31 3/8"	3,200
38 3/8"	2,600
45 3/8"	2,200

FOR INTERNAL USE ONLY PROJECT SIGN OFF	
SALES	
ENG.	
FAB.	
POWER	

ALL GRAPHICS PROVIDED ARE FOR REFERENCE ONLY. IF CERTAIN DIMENSIONS ARE CRITICAL PLEASE VERIFY THOSE DIMENSIONS WITH YOUR SALESPERSON

DIMENSION TOLERANCE +/- 1/4"

STANDARD FEATURES

- MODEL NUMBER: P-JIB-4
- STATIONARY HOOK CAPACITY: SEE CHART
- HAND WINCH CAPACITY: 800 LBS.
- WIDTH: 35 11/16"
- EXTENDED LENGTH: 113 3/8"
- RETRACTED LENGTH: 92 3/8"
- LEVEL HEIGHT: 90 1/8"
- (2) RIGID & (2) Ø8" x 3" PHENOLIC CASTERS
- SWIVEL CRANE FOR SIDE LOADING
- TWO OUTRIGGERS TO INCREASE STABILITY
- LEVELING JACKS TO STABILIZE UNIT TO FRONT/SIDE
- DURABLE LIQUID PAINT BLUE FINISH WITH YELLOW INNER BOOM
- **THE P-JIB-BALL-4 COUNTER BALANCE BALLAST (SOLD SEPARATELY) IS RECOMMENDED FOR PROPER USE OF THIS PRODUCT**

SPECIAL FEATURES

NONE

APPROVAL

I, THE UNDERSIGNED, AGREE THAT THE PRODUCT AS REPRESENTED SATISFIES DESIGN AND DIMENSION REQUIREMENTS. I ALSO ACKNOWLEDGE MY DUTY TO CONFIRM PRODUCT AND INSTALLATION COMPLIANCE WITH ALL APPLICABLE FEDERAL, STATE AND LOCAL REGULATIONS AND STANDARDS.

ANY MODIFIED UNITS ARE NON-RETURNABLE

[] As drawn [] As marked

Signed: _____ Date: _____

Printed Name: _____

LEAD TIME WILL START UPON RECEIPT OF SIGNED APPROVAL DRAWING

DISTRIBUTOR'S NAME:		P.O.#
VESTIL MANUFACTURING		X
DRAWN BY: TJM		W.O.#
DATE: 02/04/10		X
REFERENCE: X	SCALE: 1:28	SALES: X
QUOTED LEAD TIME: X	QUOTE # X	FILE NAME:
		28-007-269