

ASSEMBLY INSTRUCTIONS
for :

**80070 TOP MOUNT
CAMPER SHELL
NV200/City Express
Transit Connect, and
ProMaster City**

Version 2

KARGO[®]
MASTER

(916) 638-8703

(800) 343-7486

• *11261 Trade Center Drive • Rancho Cordova, CA 95742 •*

• *www.kargomaster.com •*

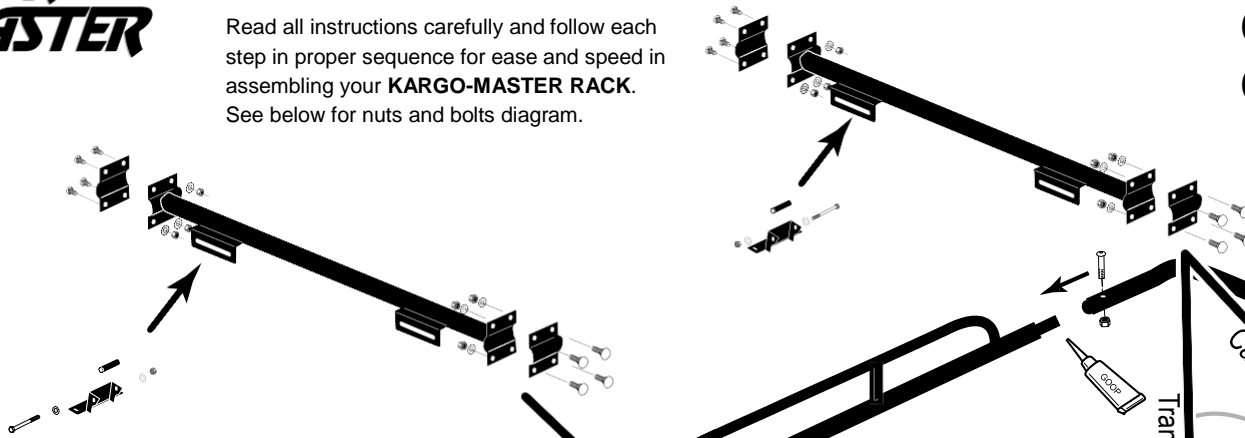


ASSEMBLY INSTRUCTIONS

Read all instructions carefully and follow each step in proper sequence for ease and speed in assembling your KARGO-MASTER RACK. See below for nuts and bolts diagram.

80070 Top Mount Camper Shell & Transit Connect Rack

5



3

Transit
Camper

4

2

B

L

11

TAILGATE

8

WARNING!

- WE RECOMMEND THAT YOU NOT EXCEED 200 LBS. OF EVENLY SPACED CARGO. TOO MUCH WEIGHT COULD DAMAGE YOUR CAMPER SHELL. KARGO MASTER MAKES NO REPRESENTATION OR WARRANTY AS TO THE AMOUNT OF WEIGHT THAT CAN BE CARRIED SAFELY BY OR WITHOUT DAMAGING YOUR SHELL. FOR GUIDANCE, WE RECOMMEND THAT YOU CONSULT THE CAMPER SHELL MANUFACTURER.
- DRILLING HOLES IN THE CAMPER SHELL ROOF MAY VOID THE WARRANTY. WE RECOMMEND THAT YOU HAVE AN AUTHORIZED CAMPER SHELL DEALER DRILL AND MOUNT THE RACK FOOT PLATES.
- SECURE ALL CARGO PROPERLY FOR SAFE TRANSPORTATION.

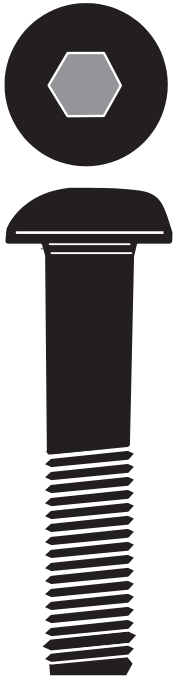
NOTE:

1

Shaded numbers (**1**) in this view correspond to instruction steps in this assembly package.

80070 Bolt Kit

A (4 ea.)
1/2" x 2 1/4"
Button Head Bolt



B (4 ea.)
1/2" Nyloc Jam Nut



E (16 ea.)
5/16" x 1"
Carriage Bolt



G (8 ea.)
5/16" x 3/4"
Button Head Bolt



H (8 ea.)
5/16" Lock Washer



I (36 ea.)
5/16" Flat Washer



J (24 ea.)
5/16" Lock Nut



K (4 ea.)
3/8" x 4"
Hex Bolt



N (4 ea.) Mounting Bracket Spacers



D (4 ea.)
M8 x 32



S (8 ea.)
5/16" x 1 1/4"
Button Head Bolt



P (4 ea.)
1/2" SAE Flat Washer



L (8 ea.)
3/8" SAE Flat Washer



M (4 ea.)
3/8" Lock Nut



G (8 ea.)
Camper Shell Rubber Pad



2014+ Transit Connet and ProMaster City Kit

Hardware Pack

(Q)

QTY: 4

Round Rubber Pad



(R)

QTY: 4

24mm OD Fender Washer



(T)

QTY: 4

M8 Nyloc Nut



(U)

QTY: 4

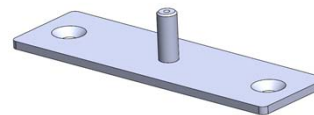
Thick Rubber Pad



(V)

QTY: 4

ProMaster City Bracket



(W)

QTY: 4

ProMaster City Rubber Pad



(Y)

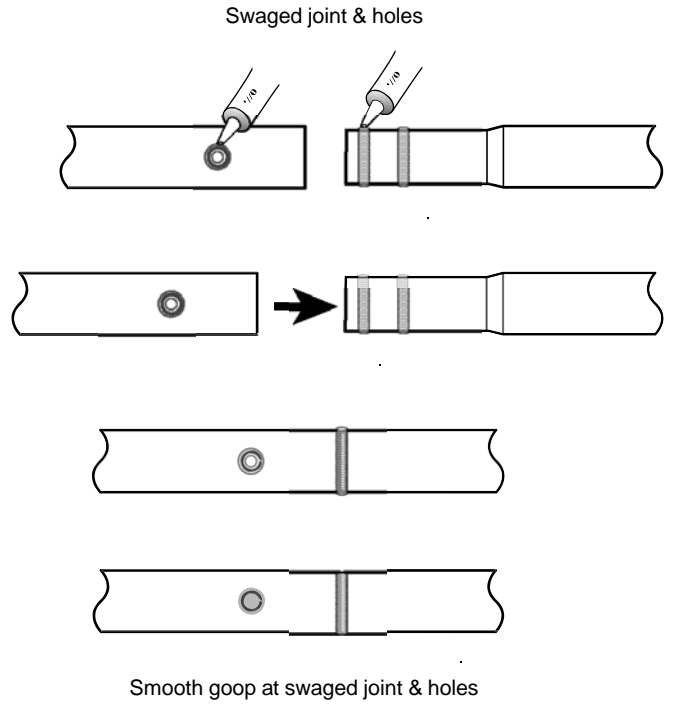
QTY: 8

M6 Flat Head Bolt



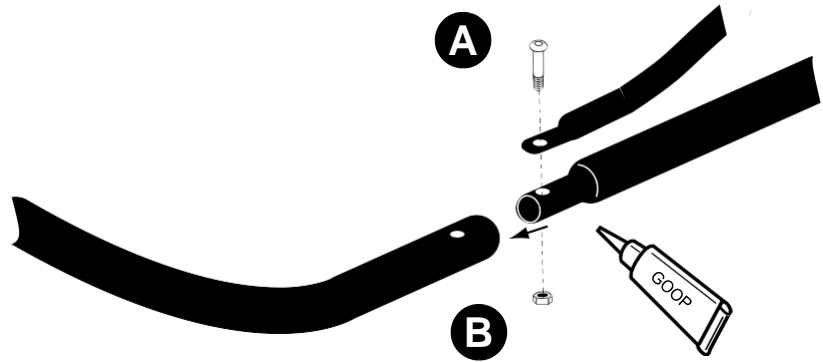
GOOP APPLICATION

Apply a healthy air tight bead of goop around **every** swaged joint as shown, to prevent moisture from leaking into and out of the joint. If this is not done properly, the inside surface of the tubes can rust and rusty water can leak out. Maintain this joint seal throughout the life of your rack.



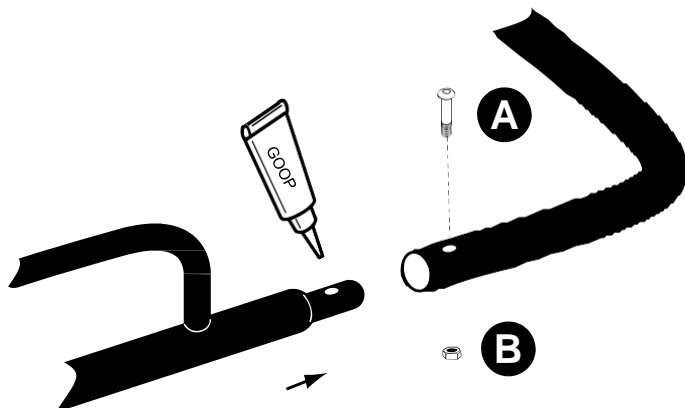
STEP 1

#1 = Cover entire swedge joints with goop and slide FRONT U- BAR onto side rails and bolt together with bolts **A**, and jam nut **B**.



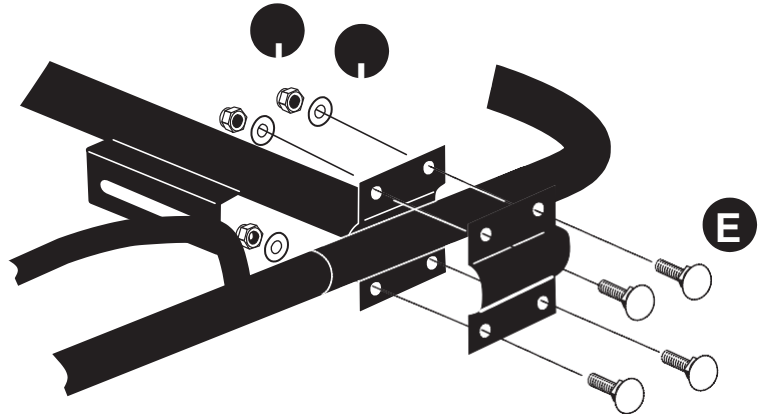
STEP 2

#1 = Cover entire swedge joints with goop and slide REAR U- BAR onto side rails and bolt together with bolts **A**, and jam nut **B**.



STEP 3

#1 = Position rear cross bar behind the 1/2" button head bolt **A** that attaches the rear U bar to the side channel. Loosely bolt clamp plates together with bolts **E**, washer **I** and lock nuts **J**.



#2 = With the camper shell rear door fully opened, measure the distance from the open rear door to the front most point of the camper shell roof, where you will be locating the front mounting plates. See diagram in STEP 5.

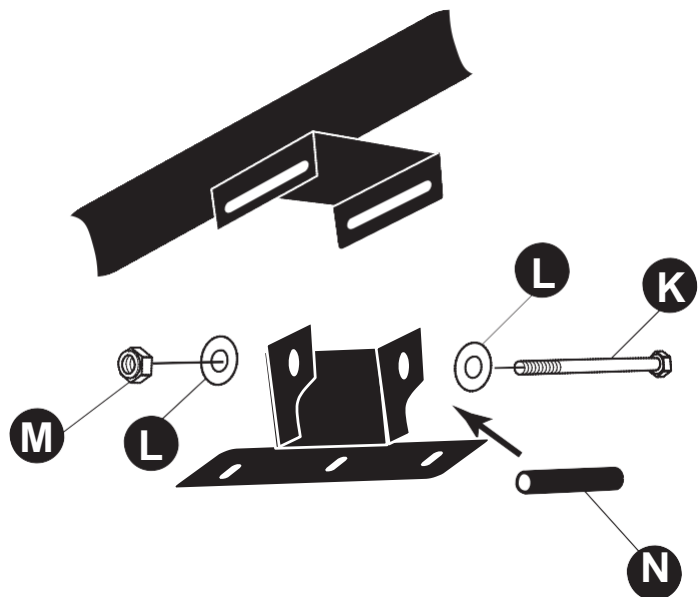
#3 = Position the front cross bar so that the distance from the rear U bar to the front cross bar is as per the measurement above. The objective is to locate the front foot as far forward on the camper shell roof as possible, but at the same time making sure that the opened camper shell rear door will not hit the rear U bar. See diagram in STEP 5. Loosely bolt clamp plates together with bolts **E**, washer **I** and lock nuts **J**.

STEP 4 (CAMPER SHELL ONLY)

#1 = There are 8 mounting feet in your box. There are 4 identical feet (these are the taller ones with the three holed flange on the bottom). These will be used for Camper Shell installation. Find these now.

#2 = Position the Camper Shell feet into the slider brackets on the cross bars.

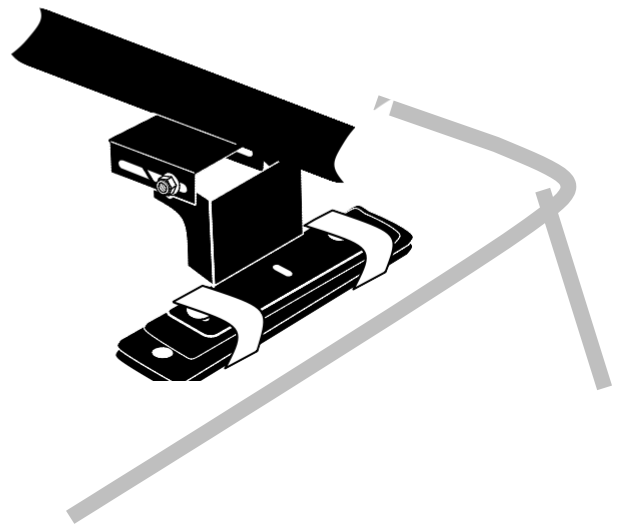
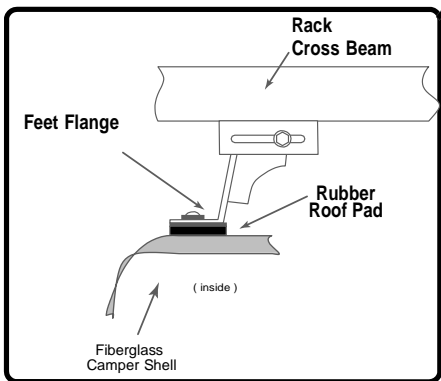
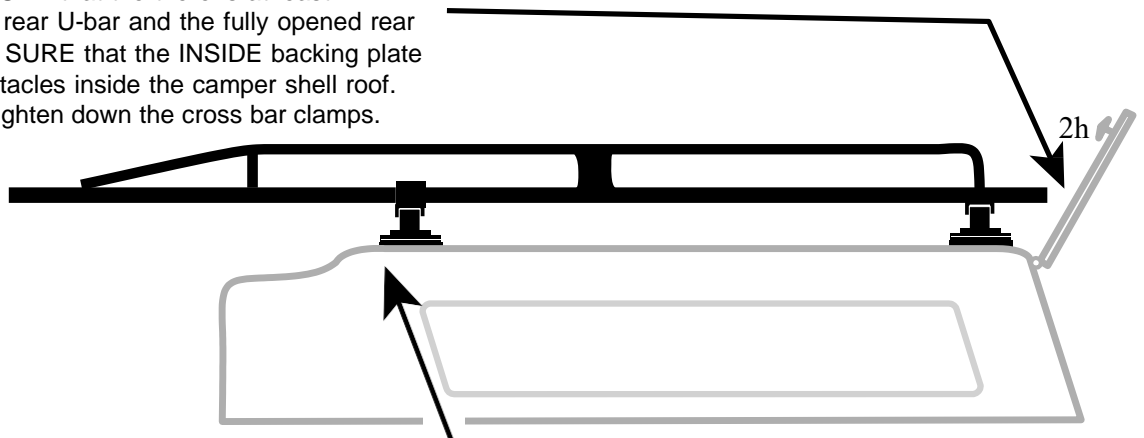
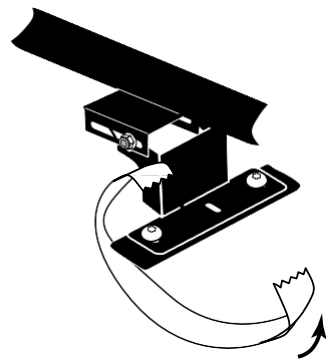
#3 = Place the spacer **N** inside the mounting brackets. Loosely bolt the feet to slider brackets using bolts **K**, washers **L** and lock nuts **M**.



STEP 5 (CAMPER SHELL ONLY)

#1 = Place a rubber roof pad under each foot flange, align the holes, and temporarily secure it in place with tape. Do not tape over the holes.

#2 = Carefully place the assembled rack onto the top of the camper shell and position it centered side to side. Examine the underside of your camper shell to see if the manufacture has molded any reinforcement pads into the roof. If so, position the feet so that the mount bolts will go through the pads. If not, we recommend that you consult the camper shell manufacture for optimal foot location. Typically, the front feet should be as far forward as possible, the rear feet should be as far back as possible, and all feet should be to the outer most shoulder of the shell. When the rack has been positioned as described above, BE SURE that there is at least 2" clearance between the rear U-bar and the fully opened rear camper shell door. BE SURE that the INSIDE backing plate will be clear of any obstacles inside the camper shell roof. After final positioning, tighten down the cross bar clamps.



STEP 6

(CAMPER SHELL ONLY)

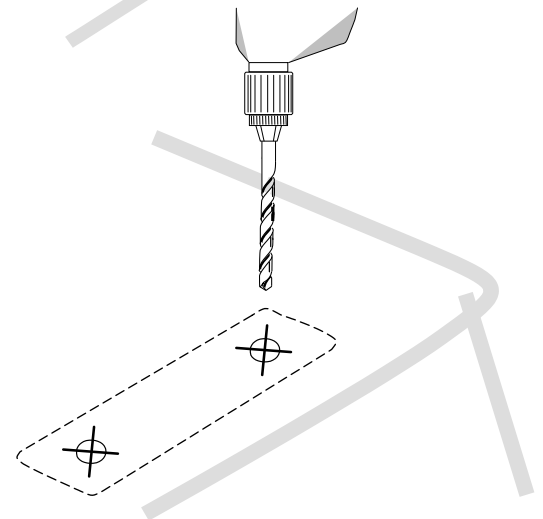
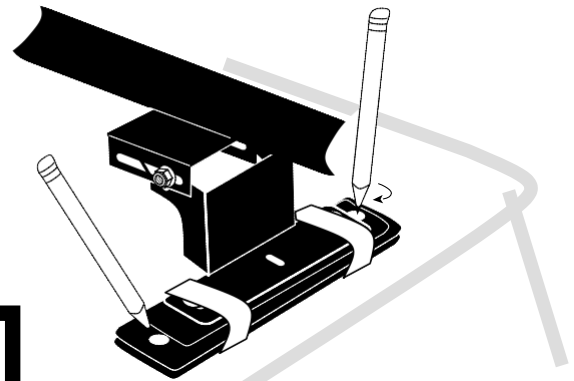
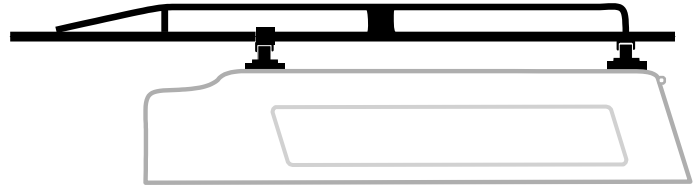
NOTE: Be sure that the INSIDE backing plate will be clear of any obstacles inside the camper shell roof.

#1 = With the rack properly positioned, mark the TWO outer holes (not the middle hole) on the foot flange where the through bolts will go through. See diagram.

WARNING!

• DRILLING HOLES IN THE CAMPER SHELL ROOF MAY VOID THE WARRANTY. WE RECOMMEND THAT YOU HAVE AN AUTHORIZED CAMPER SHELL DEALER DRILL AND MOUNT THE RACK FOOTPLATES.

#2 = Remove the rack from the roof. CAREFULLY drill a small pilot hole through the shell. With a 5/16 bit, drill up from inside, about half way through the fiberglass. From outside, drill down to finish the hole.

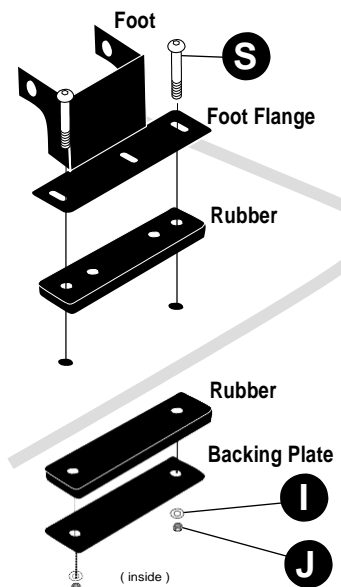
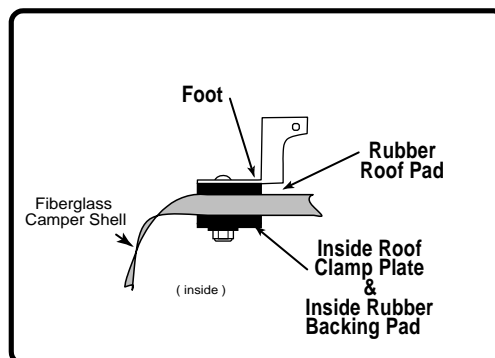


STEP 7

(CAMPER SHELL ONLY)

#1 = CAREFULLY lift each foot one at a time, remove the tape, and reposition the rubber roof pad so that the holes are aligned.

#2 = Secure each foot flange, outside rubber roof pad, inside rubber roof pad, and inside backing plate using through bolts **S**, flat washers **I**, and lock nuts **J**. Unless you have really long arms, this is a two man job.



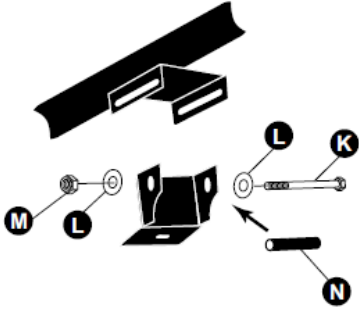
Tighten down all nuts & bolts and **THAT'S IT!** You are now ready to use your rack.

Promaster City

STEP 4

** USE CROSS BAR MOUNTING LOCATIONS FROM CAMPER SHELL FOR PROMASTER CITY

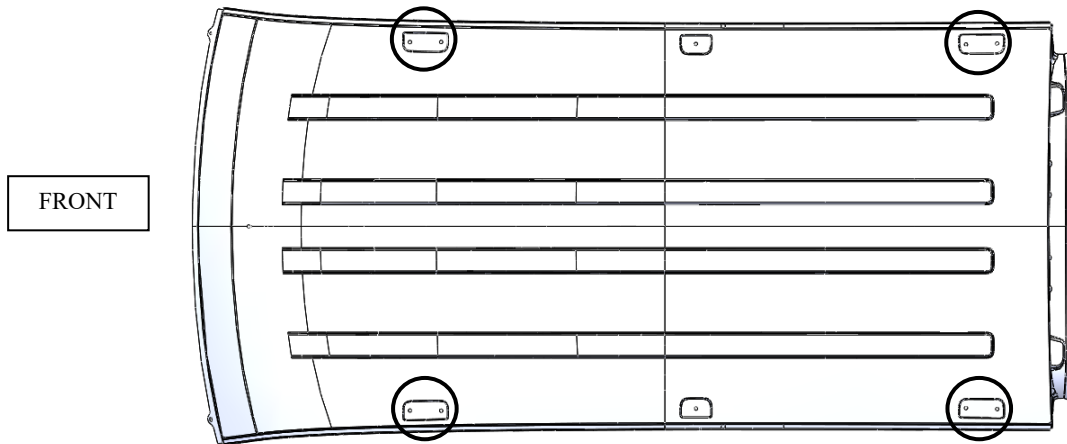
#1 = There are 8 mounting feet in your box, SEE NEXT PAGE FOR DETAILS. There are 4 Feet (these are the ones with a flange and a four holes in the bottom) that will be used for the Promaster City.



#2 = Position the Transit Connect feet into the slider brackets on the crossbars.

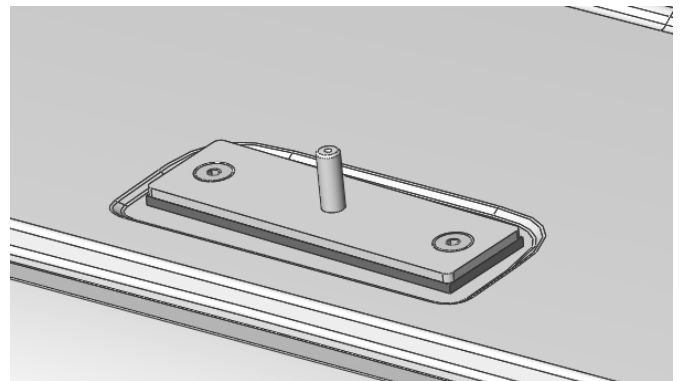
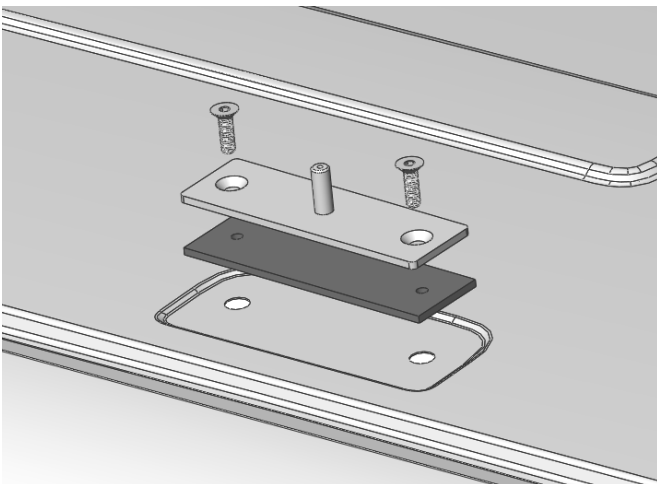
#3 = Place the spacer N inside the mounting brackets. Loosely bolt the feet to slider brackets using bolts K, washers L and lock nuts M.

#4 = The Promaster City has 8 threaded embosses in the roof. Remove existing plugs to expose threaded embosses.

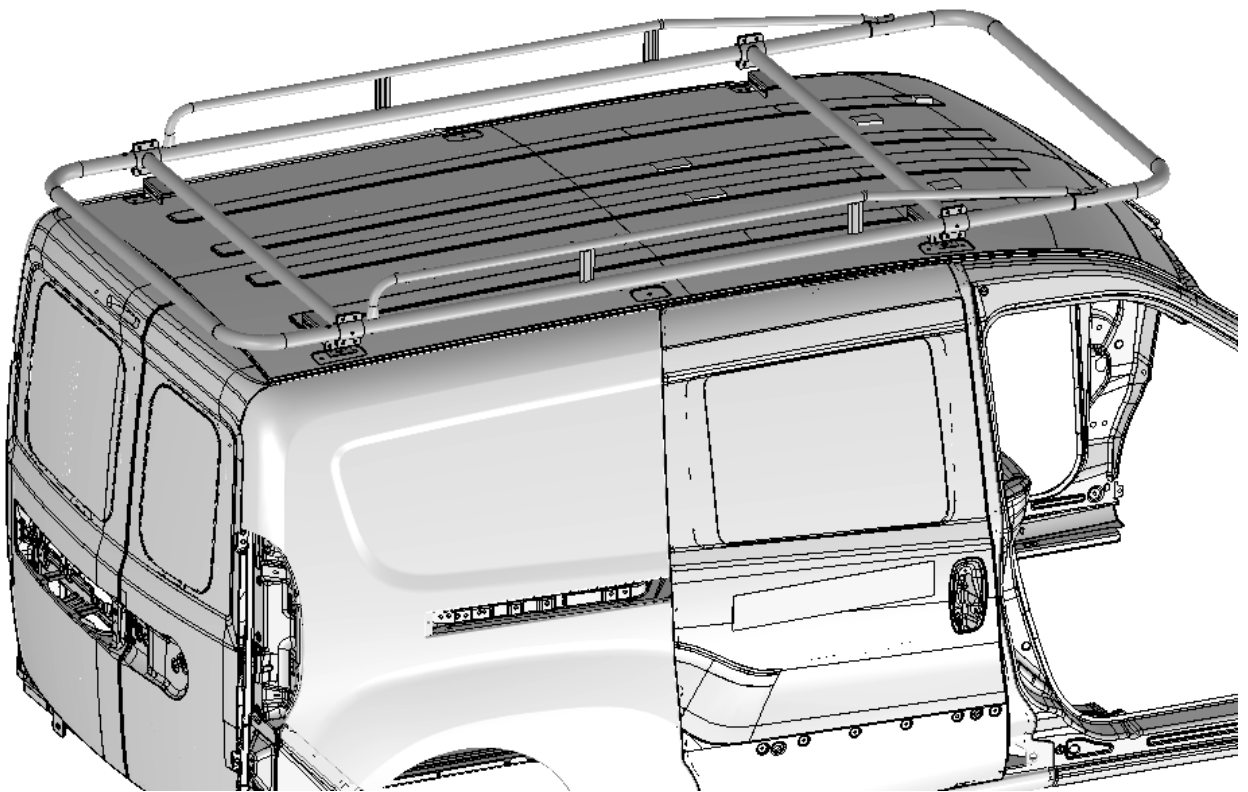
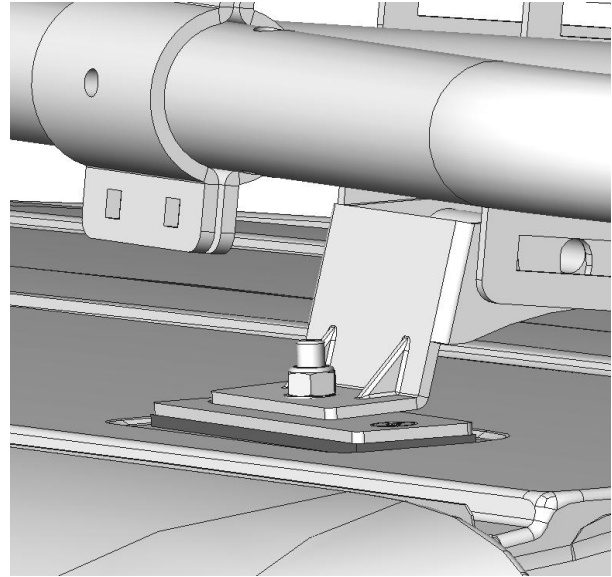
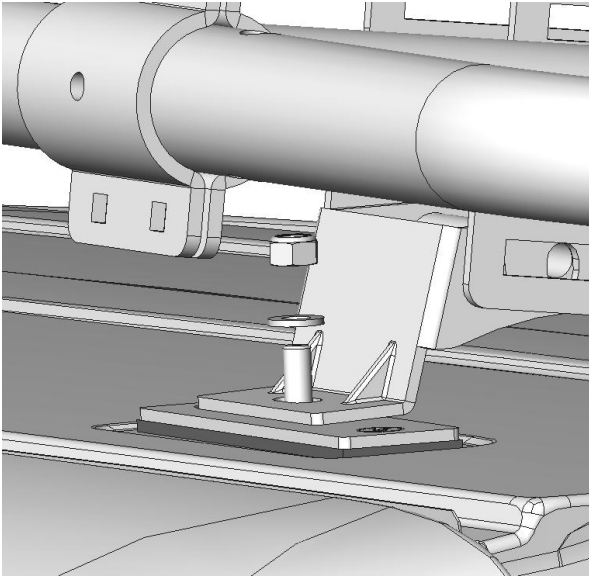


#5 = Bolt "Foot Mount Plate" to embossed holes using two M6 Flat head bolts in each mounting location. Be sure to place the larger rubber pad that lines up with the embossed holes. Repeat in all 4 corners of van.

TIGHTEN



#6 = Place assembled rack onto the top of previously installed Foot Mount Plates.
Bolt to roof using a flat washer and a M8 NYLOC nut.
Align and square rack onto vehicle.
TIGHTEN all bolts from previous steps



Tighten Down all nuts & bolts and THAT'S IT! You are now ready to use your rack

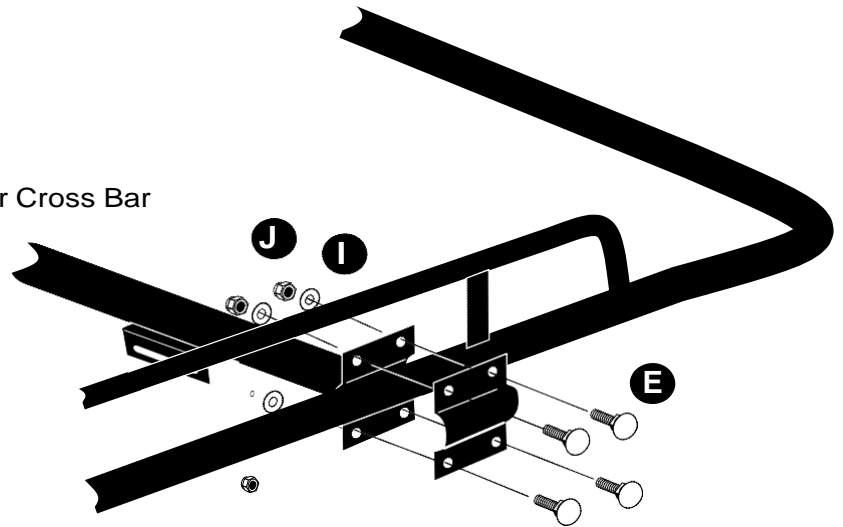
Ford Transit Connect/NV200/City Express

TMCS_3:1

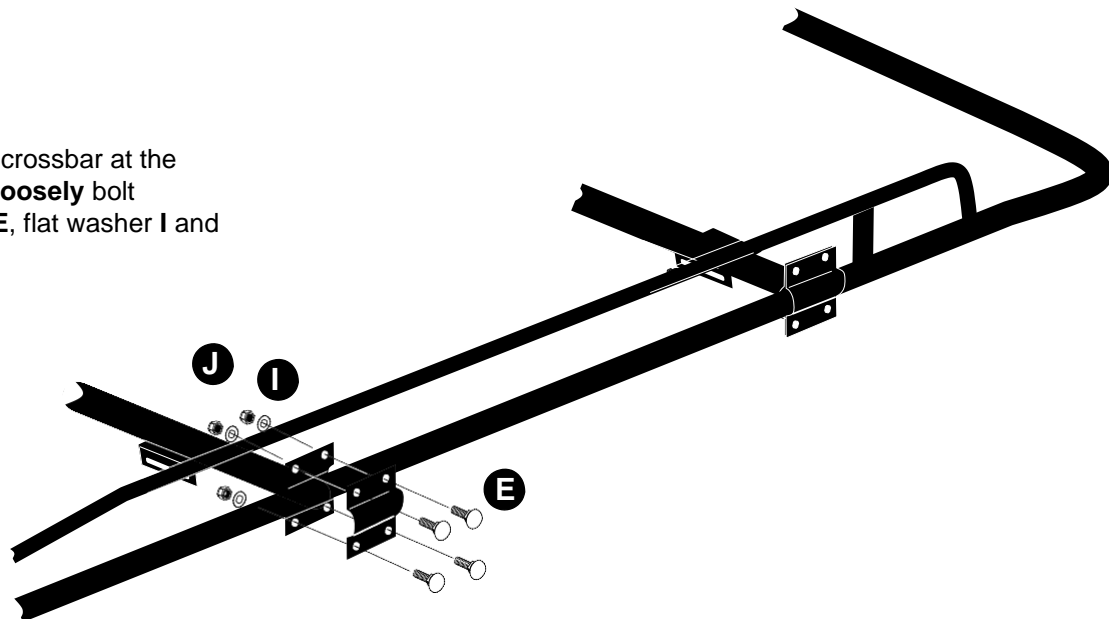
STEP 4

Rear Cross Bar

#1 = Position centerline of rear crossbar at the rear mounting location. Securely bolt clamp plates together with bolts E, flat washers I, and lock nuts J.



#2 = Position centerline of front crossbar at the front at front mounting location. **Loosely** bolt clamp plates together with bolts E, flat washer I and lock nuts J.

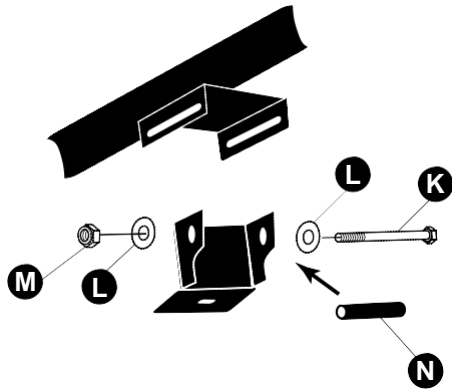


Ford Transit Connect/NV200/City Express, con't

TMCS_3:1

STEP 5

#1 = There are 8 mounting feet in your box, SEE NEXT PAGE FOR DETAILS. There are 4 feet (these are the ones with a flange and a single hole in the bottom) that will be used for Transit Connect/NV 200 installation.

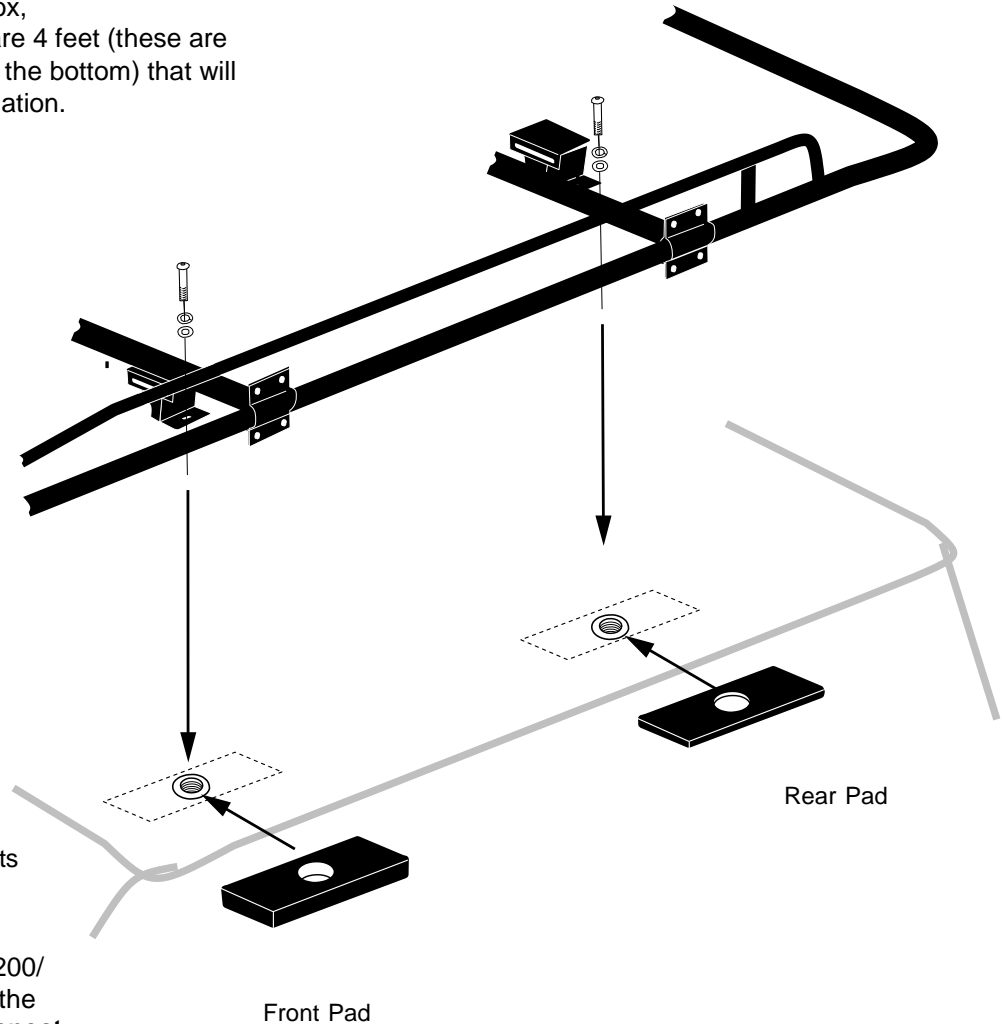


#2 = Position the Van feet into the slider brackets on the cross bars.

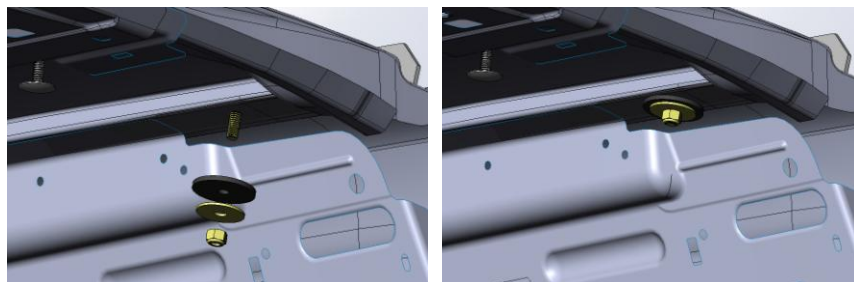
#3 = Place the spacer **N** inside the mounting brackets. Loosely bolt the feet to slider brackets using bolts **K**, washers **L** and lock nuts **M**.

#4 = The 2013 and older Transit Connect/NV200/City Express have factory threaded bosses on the roof. **See # 6 for 2014 and Newer Transit Connect** No need to drill holes in the roof. These bosses have a threaded button with a rubber washer. Remove the factory button and washer.

#5 = There are 4 rubber pads (**U**) in the box. Align the middle hole of the pad with the middle hole in the Transit Connect foot. Cut off the ends of the pads to match the width of the Transit Connect foot. Position the pads over the threaded bosses or holes in the roof



#6 = Carefully position the rack onto the roof. Loosely attach the rear feet to the roof with **M8 x 32** button head bolt **D**, flat washer and lock washer. For roof without threaded holes(2014 and newer Transit Connect), use round rubber washer **Q**, flange washer **R**, and nyloc nut **T** to lock from inside of the van(shown below). Adjust the front cross bar as necessary. To align the front feet. Securely attach the front feet to the roof. Repeat front cross bar attachment as rear.

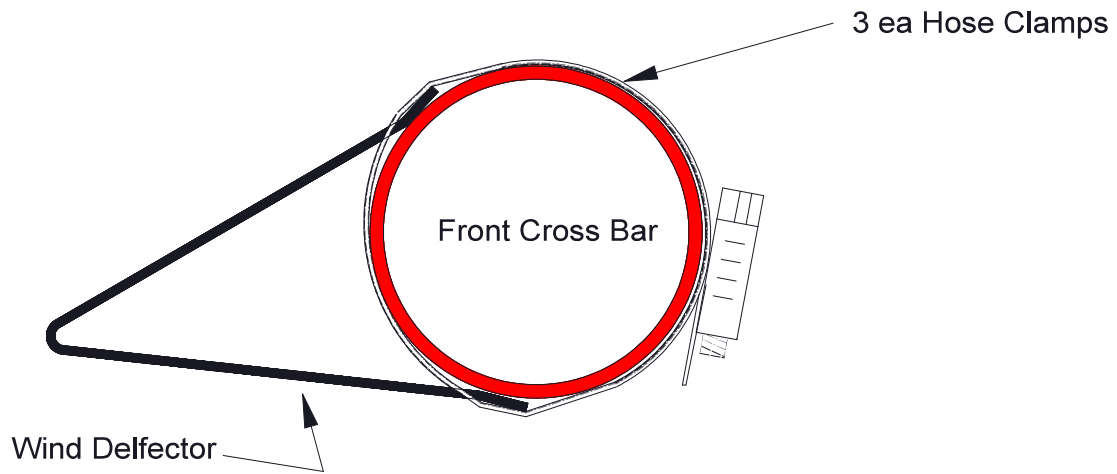


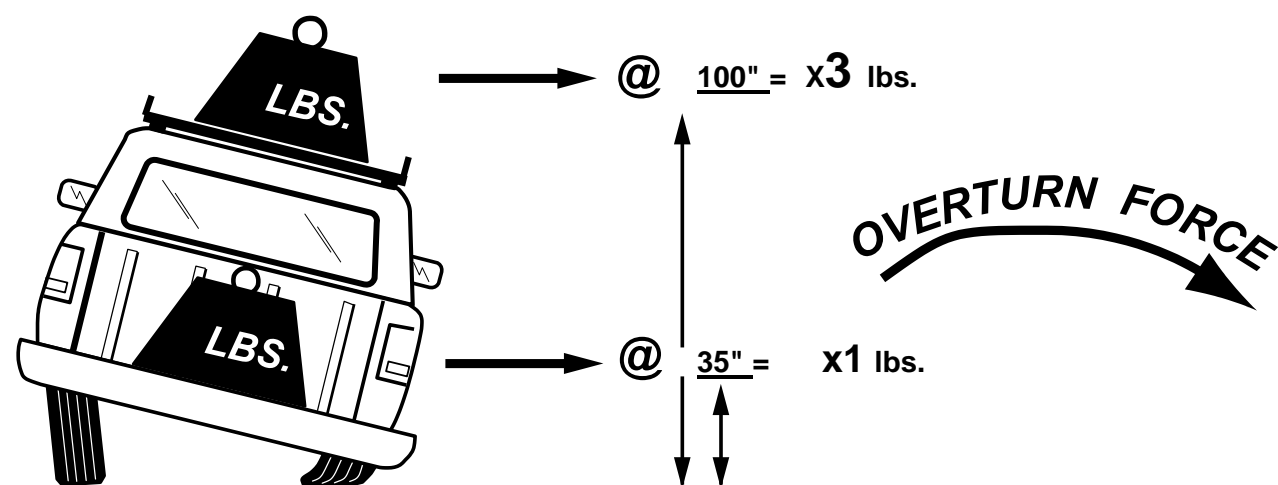
Ensure all nuts & bolts are tighten down and **THAT'S IT!** You are now ready to use your rack.



For Technical Support Call 800-343-7486

Wind Deflector
31570 Black
31572 Silver



DON'T OVERLOAD YOUR VEHICLE!

WEIGHT CARRIED ABOVE THE FLOOR OF THE TRUCK BED (E.G. ON AN OVERHEAD TRUCK RACK) WILL SIGNIFICANTLY INCREASE THE VEHICLE'S TENDENCY TO OVERTURN. ALWAYS KEEP HEAVY LOADS EVENLY DISTRIBUTED AND AS LOW AS POSSIBLE. IT IS IMPORTANT TO NOTE THAT THE KARGO MASTER RACK LOAD BEARING CAPACITY MAY BE GREATER THAN YOUR TRUCK'S GAWR OR GVWR CAPACITY, AND IS PROBABLY GREATER THAN THE WEIGHT THAT CAN BE SAFELY CARRIED OVERHEAD.