

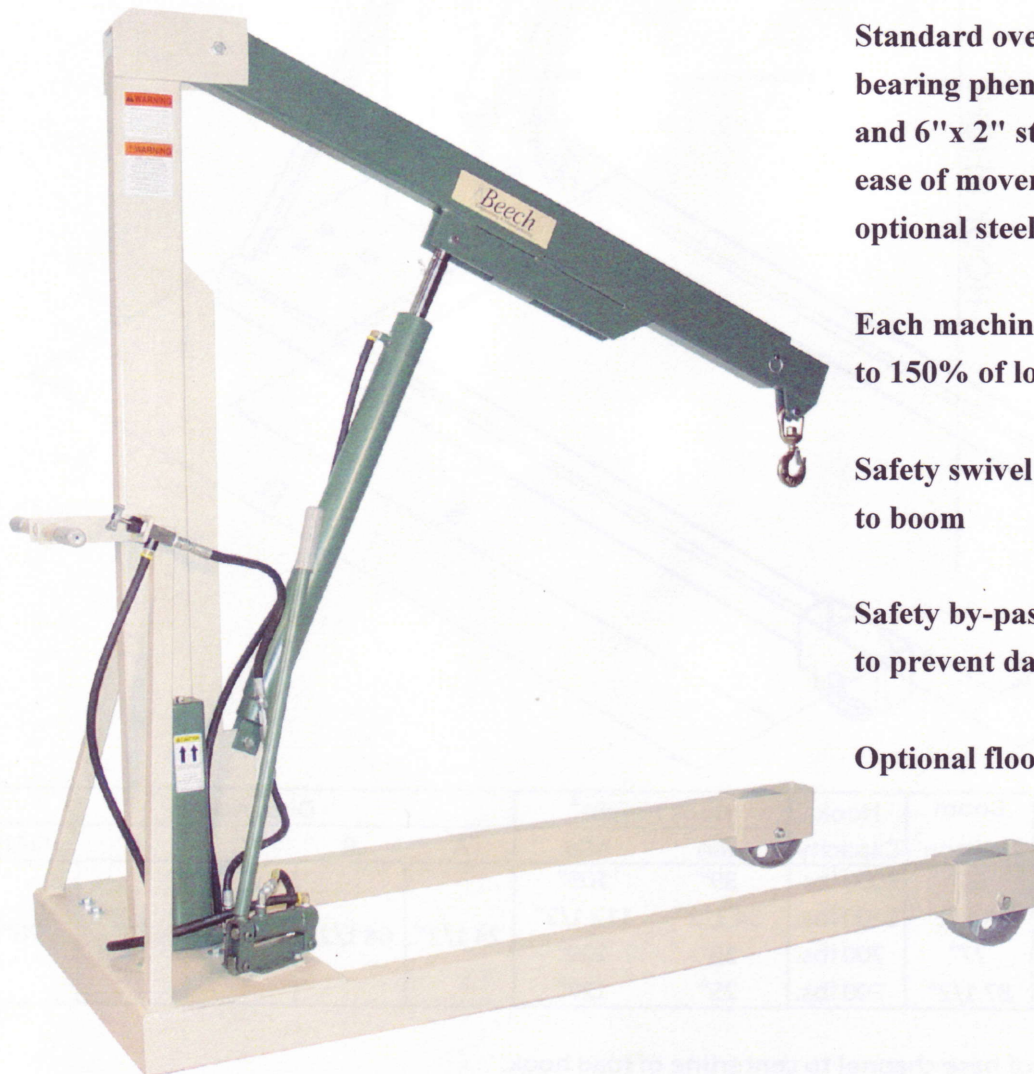


Beech

Engineering & Manufacturing

B-3000

3000 lb capacity



Standard oversize roller bearing phenolic 8"x 3" load wheels and 6"x 2" steering casters provide ease of movement. (Shown with optional steel load wheels.)

Each machine is factory proof tested to 150% of load

Safety swivel hook is attached directly to boom

Safety by-pass relief valve is standard to prevent dangerous overloading

Optional floor lock available



2 year warranty on entire machine, 5 year on frame weldment

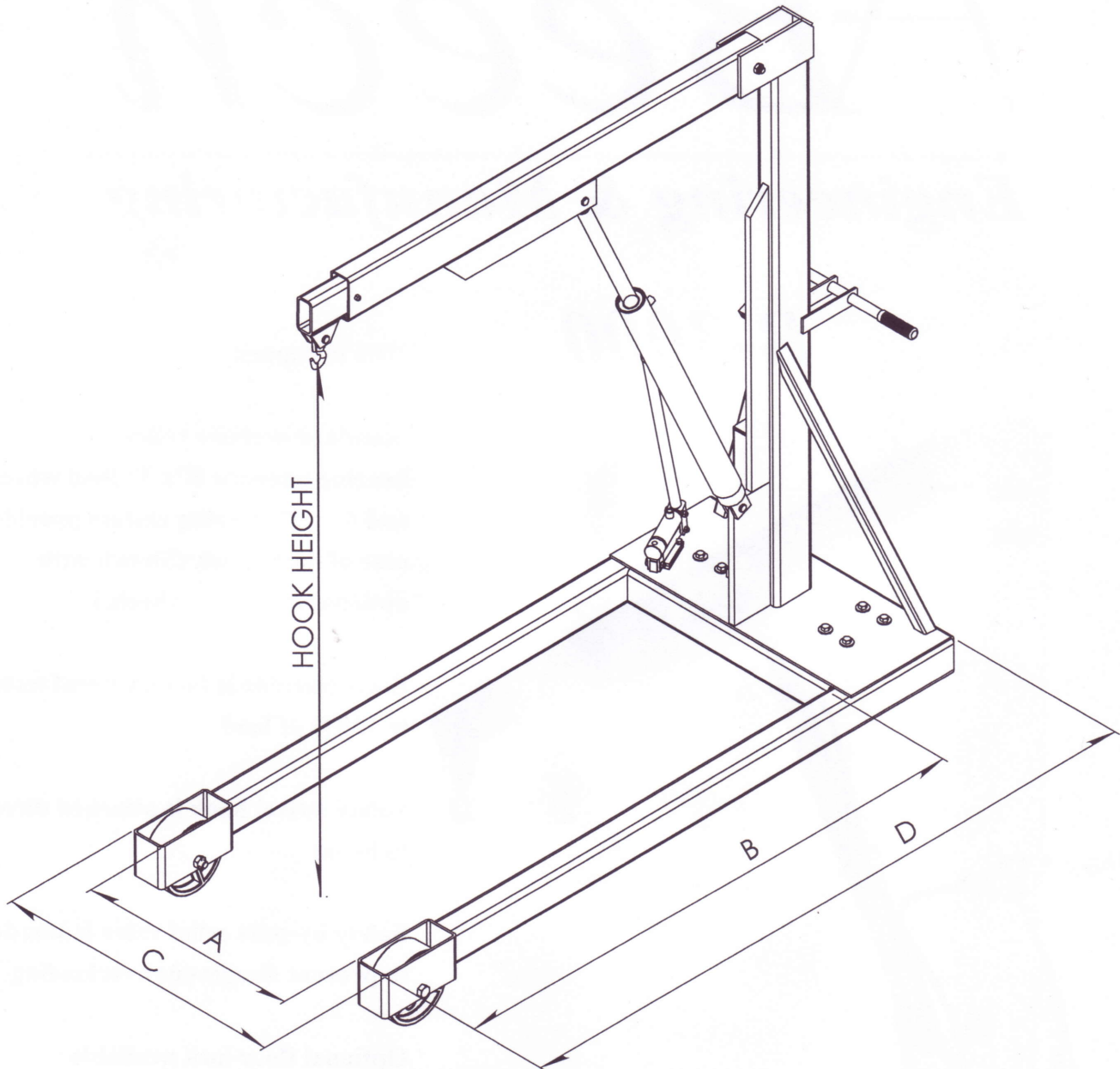
P.O. Box 947 • New Philadelphia, Ohio 44663 • Phone 1-800-726-9491 • Fax 330-343-3037

www.beechengineering.com

A Division of

msi
MILLER STUDIO INC

Model B-3000 Hydraulic Floor Crane



Model No.	Pump Type ¹	Machine Weight	Boom Position ²	Hook Capacity	Hook Height ³		Dimensions				
					Min	Max	A	B	C	D	OAH
B-3000	Two Speed Manual	545 lbs.	56"	3000 lbs.	39"	105"	24 1/2"	64 1/2"	35"	79"	76"
			66 1/2"	1200 lbs.	34 1/2"	112 1/2"					
			77"	700 lbs.	30"	120"					
			87 1/2"	500 lbs.	25"	127"					

¹ Measured from the front of base channel to centerline of load hook.

² Add 9" to maximum hook height to assure overhead clearance.

Beech Engineering & Manufacturing
P. O. Box 947 * New Philadelphia, Ohio 44663 * Phone 800-726-9491 * Fax 330-343-3037
www.beechengineering.com