



FOLD-**A**-WAY
CRANE

www.westernmule.com

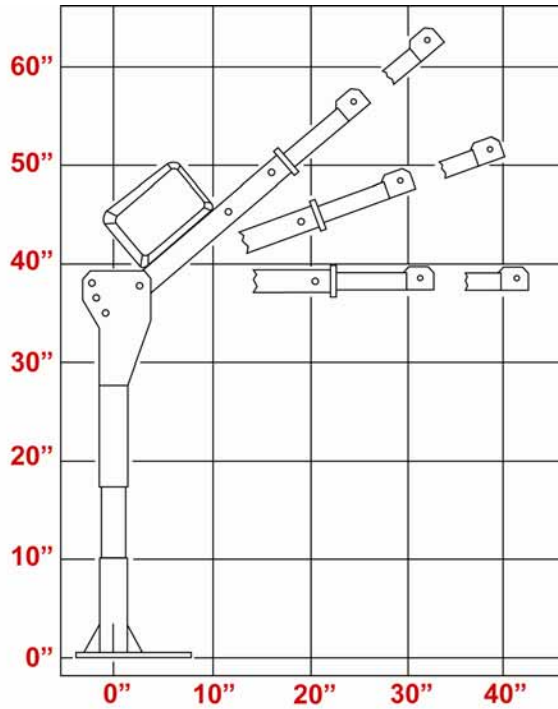
P7-VAN

*Lifting Capacity: 700 lbs.
Max. Boom Length: 43"*

UNIQUE COMPACT FOLD-DOWN BOOM

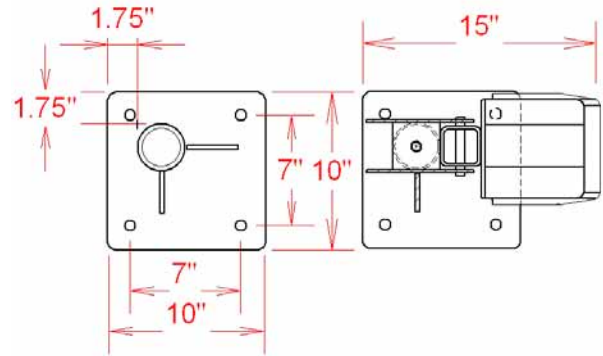


- ▶ 700 lbs. Max. Lifting Capacity
- ▶ Three Boom Elevation Angles: 0°, 20°, 40° raised manually
- ▶ Two Position Telescoping Boom: 33" & 43" extended manually
- ▶ 360° Continuous Manual Rotation on a Sealed Thrust Bearing
- ▶ Rotation Hand Brake
- ▶ 12V-DC Standard
- ▶ Detachable Power Cable
- ▶ 10' Remote Pendant Control
- ▶ 20' x 3/16" Lifting Cable & Safety Hook
- ▶ Circuit Breaker Protected
- ▶ Durable Powder Coat Finish (Gloss White)
- ▶ 1-Year Warranty (excluding lifting cable)



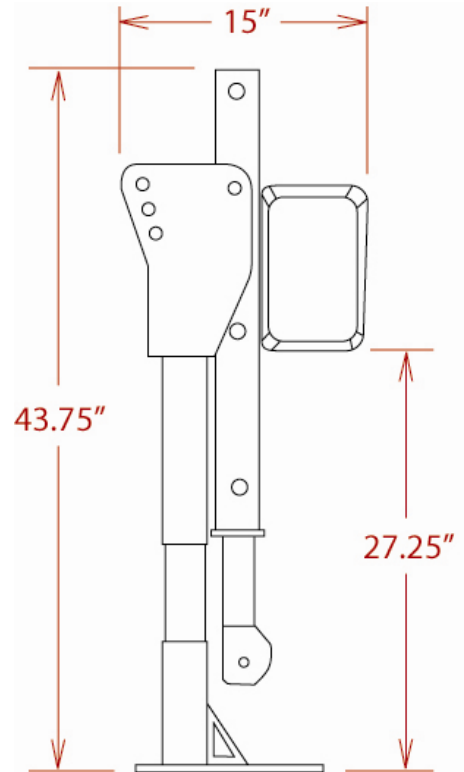
LOAD CHART (Lbs.)

Boom	A	B
3	700	675
2	700	650
1	700	625



STANDARD FEATURES

MODEL:	<i>P7-VAN</i>
Lifting Capacity (maximum)	700 Lbs
Lifting Height Max. Std. (base to hook)	57"
Storage Height Folded (from base)	43.75"
Reach Max. (from center of rotation)	43"
Rotation (continuous) with Brake	360° Manual
Lifting Cable	20' x 3/16"
Line Speed (feet/min) No Load / Load	16 / 6
Power Requirements	12 VDC 70 amps
Controls	10' Remote
Mounting Base	10" x 10"
Mounting Bolt Hole Pattern	7" x 7"
Finish	Powder Coated
Weight of Crane / Shipping Weight (Lbs)	118 / 160
Warranty (excluding lifting cable)	1-Year



OPTIONS

Part #	Description
WP-34	Fold-Down Adjustable Outrigger
WP-110	Extra Mounting Base - (Standard)
WP-114	Extra Mounting Base - (Inverted)

