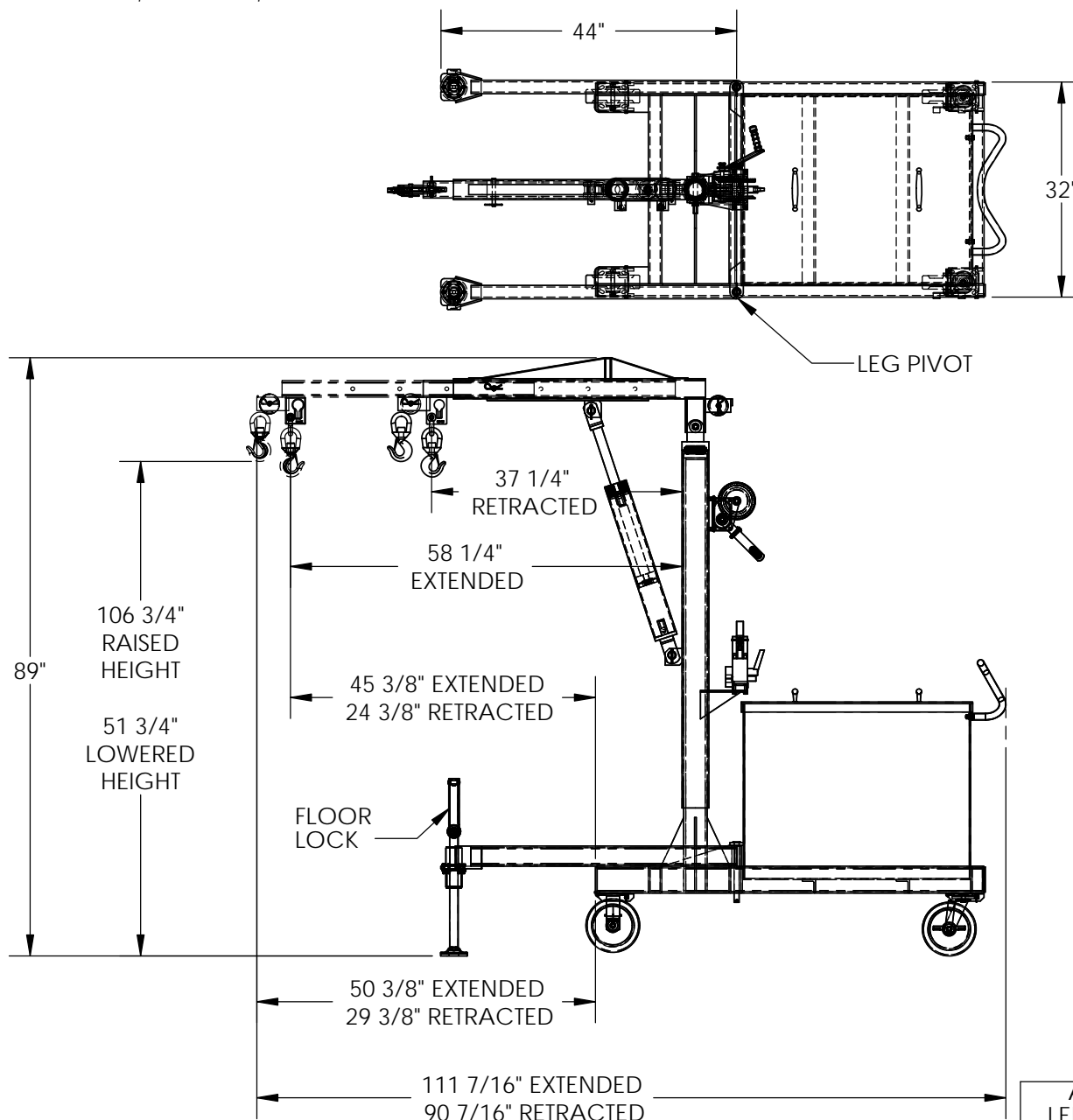


PORTABLE CANTILEVER HOIST - P-JIB-4

APPROX WEIGHT: 883.48 lbs.
DOES NOT INCLUDE WEIGHT OF POWER OR PACKAGING!!!

ANY ADDITIONS, DELETIONS, OR OMISSIONS MUST BE CORRECTED ON THIS DRAWING AS THIS DRAWING WILL BE CONSIDERED ALL INCLUSIVE



ALL GRAPHICS PROVIDED ARE FOR REFERENCE ONLY. IF CERTAIN DIMENSIONS ARE CRITICAL PLEASE VERIFY THOSE DIMENSIONS WITH YOUR SALESPERSON

ARM LENGTH	CAPACITY (LBS.)
27"	4,000
34"	3,200
41"	2,600
48"	2,200

STANDARD FEATURES

- MODEL NUMBER IS P-JIB-4
- CAPACITY IS: 4,000 lbs.
- OVERALL WIDTH IS: 32"
- OVERALL LENGTH (EXTENDED) IS: 111 7/16"
- OVERALL LENGTH (RETRACTED) IS: 90 7/16"
- OVERALL HEIGHT IS: 89"
- LIFT ARM LENGTH BEYOND FRAME IS: 48"
- CASTERS: TWO RIGID 8" x 2" PHENOLIC
TWO SWIVEL 8" x 2" PHENOLIC
- SWIVEL CRANE FOR SIDE LOADING
- TWO OUTRIGGERS TO INCREASE STABILITY
- LEVELING JACKS TO STABILIZE UNIT TO FRONT OR SIDE

SPECIAL FEATURES

NONE

A P P R O V A L

I, THE UNDERSIGNED, AGREE THAT THE PRODUCT AS REPRESENTED SATISFIES DESIGN AND DIMENSION REQUIREMENTS. I ALSO ACKNOWLEDGE MY DUTY TO CONFIRM PRODUCT AND INSTALLATION COMPLIANCE WITH ALL APPLICABLE FEDERAL, STATE AND LOCAL REGULATIONS AND STANDARDS.

ALL SPECIAL UNITS ARE NON-RETURNABLE

[] As drawn [] As marked

Signed: _____ Date: _____

LEAD TIME WILL START UPON RECEIPT OF SIGNED APPROVAL DRAWING

DISTRIBUTOR'S NAME:		P.O.#
VESTIL MANUFACTURING		X
DRAWN BY: T. MOORE		W.O.#
DATE: 02/04/10		X
REFERENCE: X	SCALE: 1:25	SALES: X
QUOTED LEAD TIME: X	QUOTE #	FILE NAME:
	X	28-007-269