

KARGO MASTER[®]

TRUCK RACKS



NEW Pro IV Heavy - Duty **ALUMINUM** Truck Rack



No Better Rack - No Better Deal!

Heavy-Duty Pro II Material Rack

The Pro II Difference!

Serious tradesmen use substantial tools. Kargo Master Racks are the top choice because they work hard and look great! Here's why...

Bigger Tubes-Stronger Frame

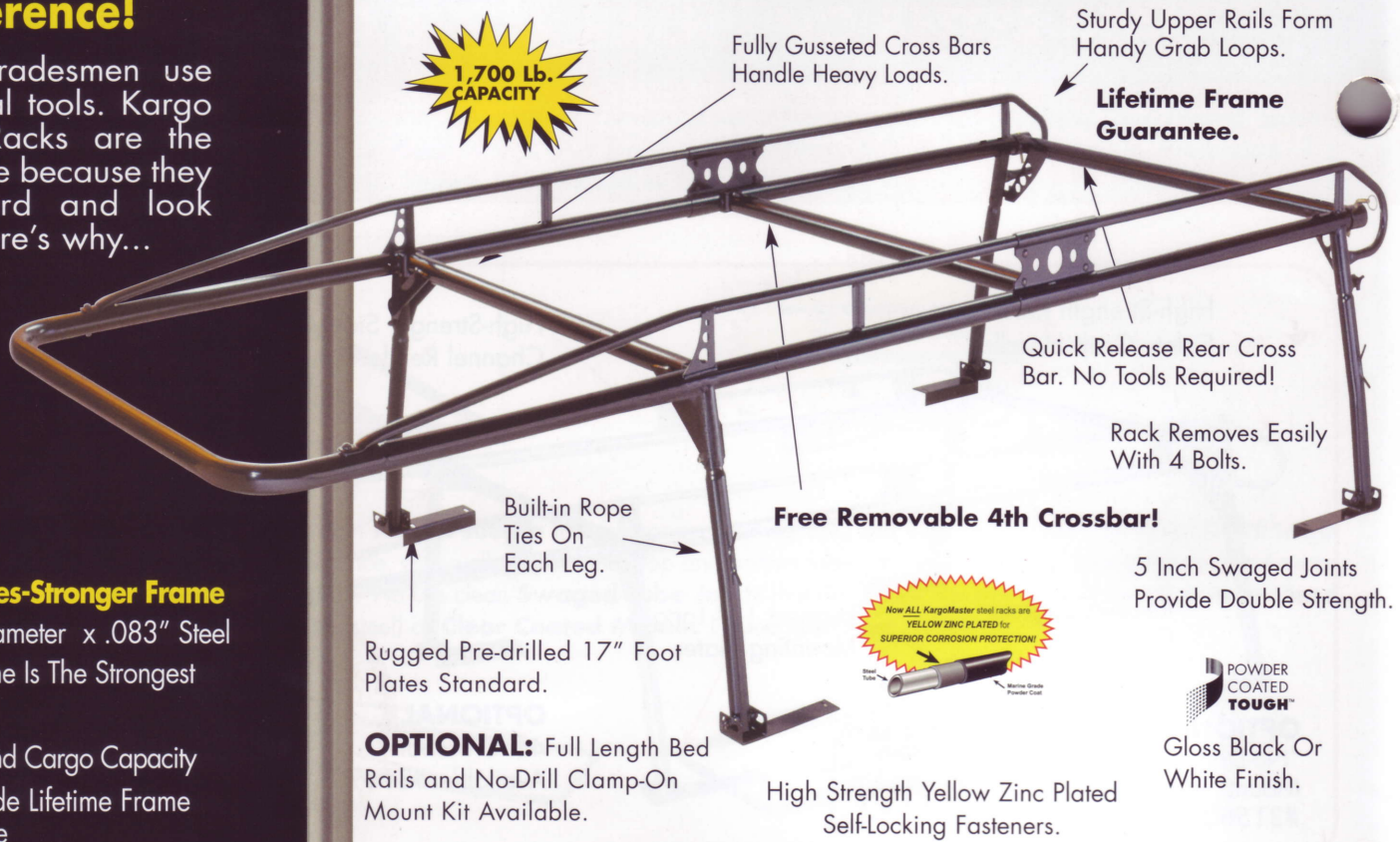
- Big 2" Diameter x .083" Steel Tube Frame Is The Strongest Available
- 1700 Pound Cargo Capacity
- Nationwide Lifetime Frame Guarantee

Premium Powdercoat Finish

- Yellow Zinc Plated For Superior Corrosion Protection
- Polyester Marine - Grade Powder Coat Specially Formulated To Resist Corrosion And Abrasion
- Will Not Fade Or Dull

Unsurpassed Styling

- Sleek "Flying Wedge" Design
- Smooth Tubular Components
- Stylish Gloss Black Or White Finish



Pro-II Model Racks For Full Size Trucks

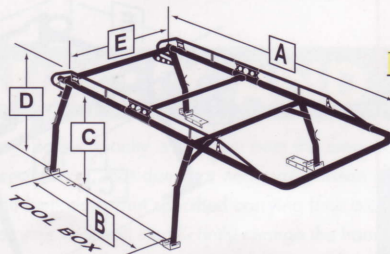


We offer a complete line of job specific tool and accessory mounts for the Pro-II Series racks. When you compare the Kargo Master difference you'll agree... There is no better rack and No better deal! Ask your dealer for more information.

Whether you need one rack or are equipping an entire fleet, the Kargo Master Pro-II is the best rack for the job. The Pro-II design features our exclusive high strength round steel tubing and patented, precision fit interlocking components. This is THE strongest rack on the market.



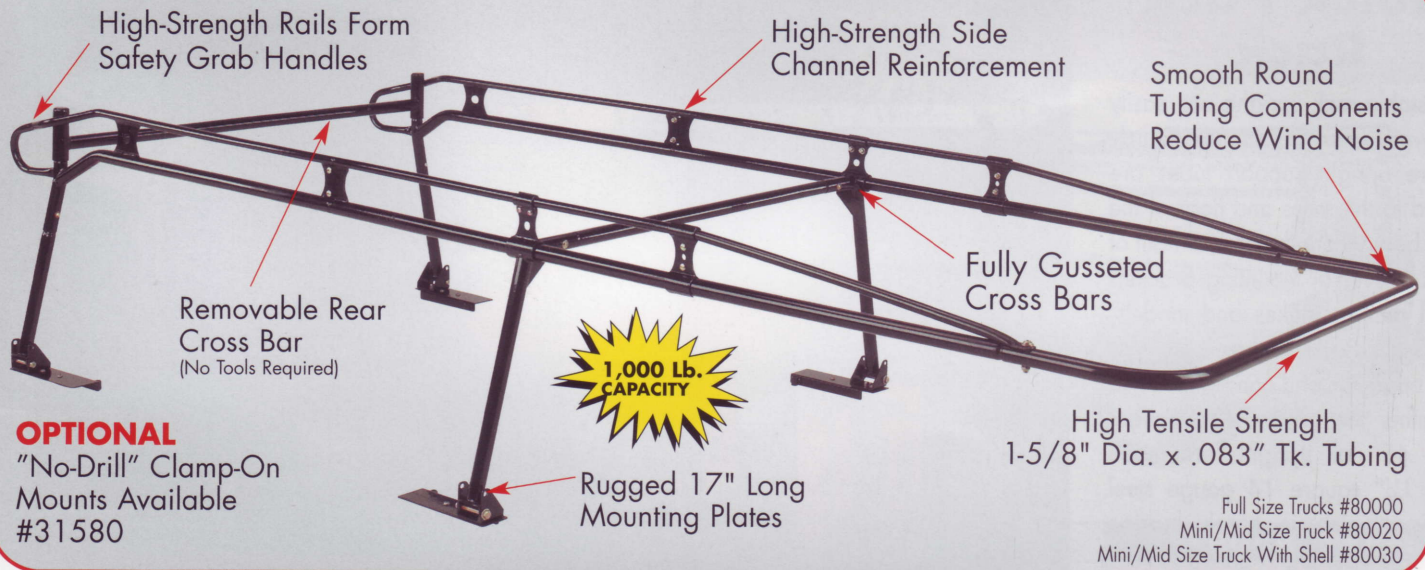
PRO-II • TRUCK WITHOUT SHELL



TRUCK TYPE:

BED TYPE:	FULL SIZE		F-250, F-350, Crew Cab			
	Std. Cab	Ext. Cab	Std. Cab	Ext. Cab		
A	128"	145"	155"	172"	155"	172"
B	72"	90"	72"	90"	72"	90"
C	26"		28"			
D	33"		35"			
E	53"					

MEDIUM-DUTY PRO III LADDER RACK



Full Size Trucks #80000
Mini/Mid Size Truck #80020
Mini/Mid Size Truck With Shell #80030



UNIQUE NEW DESIGN!

- Front Legs Adjust To Fit Any Bed Length
- Mounting Plates Allow Leg Height Adjustment For Super Duty

- Rugged .083" Tk. Steel Alloy 1-5/8" Tubing For Superior Strength
- Abrasion And Corrosion Resistant "Polyester Marine Grade" Powder Paint
- Easy to Assemble With Self-Locking Nuts

- Yellow Zinc Dichromate Finished Hardware Resists Corrosion Up To Five Times Longer Than Competitive Models
- Swaged Joints And Fully Gusseted Cross Bars For Superior Load Capacity



PRO III DIMENSIONS		
TRUCK TYPE:	Full Size	Mini / Mid.
A	155"	142"
B	56" - 98"	48" - 84"
C	26 1/2"	23"
D	33"	29"
E	54"	48"

PICK-UP RACK MOUNT OPTIONS

No-Drill Clamp-On Foot Plate Mount Kit

#31580
These clamps and stake pocket T bolts (four of each included) are specially designed to allow mounting Pro II, Pro III, Pro IV or Econo Truck Series racks to your truck's bed rail without drilling. **Does not reduce rack's carrying capacity!**



(Four of each included)

Ordered separately



(Not for camper shell racks)

Full Length Bed Rails

#31300-96" Bed, #31280-78" Bed
#31270-72" Bed & 05 + Tacoma
These accessory bed rail type mounts distribute the rack load, protect your pickup bed sides, and provide a strong flat base for mounting a tool box.

Stake Pocket "T" Bolts

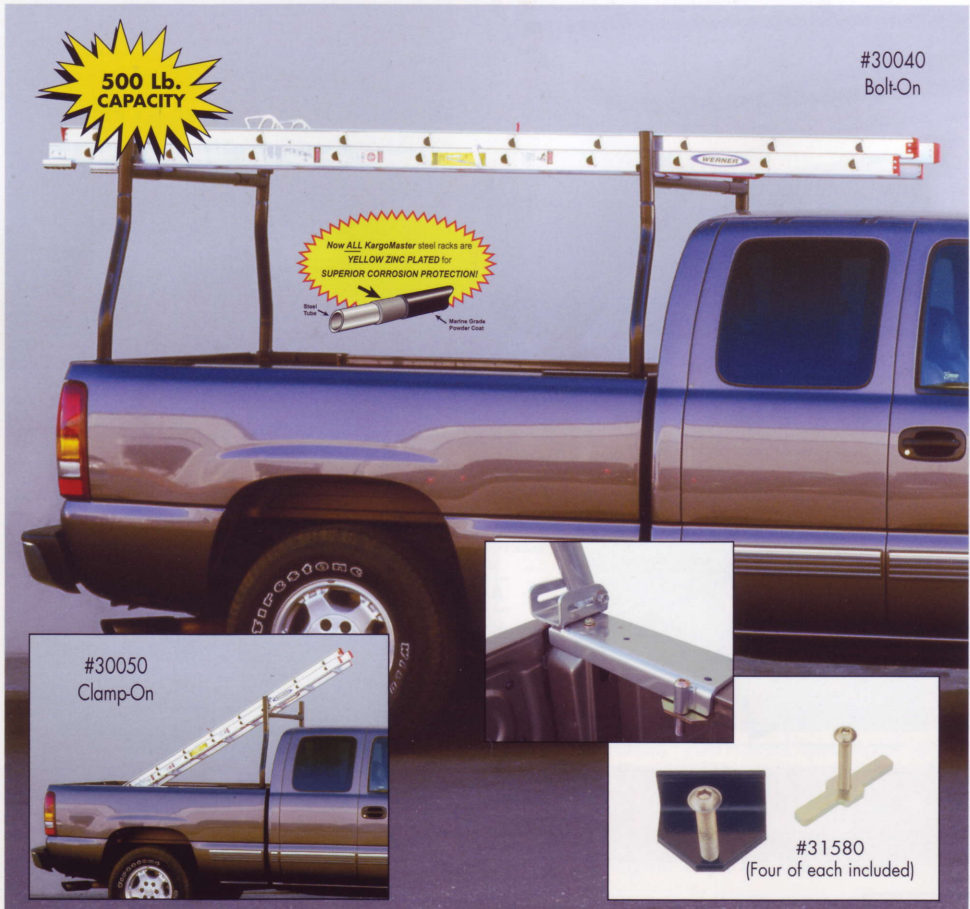
(4 of each incl.) #31560 Provide additional rack attachment points using front and rear truck bed stake pockets. Must locate and drill holes in rack foot plates or bed rails, but not in truck bed.



MEDIUM-DUTY "ECONO" LADDER RACKS

Quick Pack Rack

Adjustable rack uprights are easily removed when not in use. Sturdy square upright support tubes are bolted to the sides and floor of the truck bed, where they remain out of sight. Universal mounting brackets fit all pick-up makes and models. The Quick Pac rack has a 250 lb. load capacity, and can be mounted on either the driver or passenger side. 45" tall uprights are made from 1½" square 14 gauge steel tubing. Finish is black marine grade powdercoat. Part #30090.



Econo Truck Rack

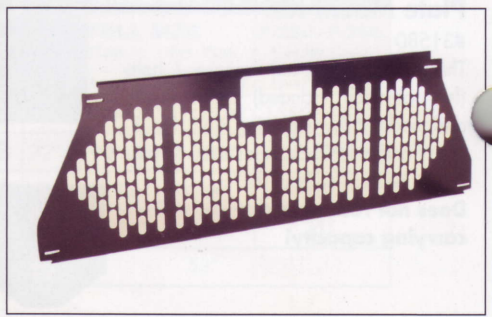
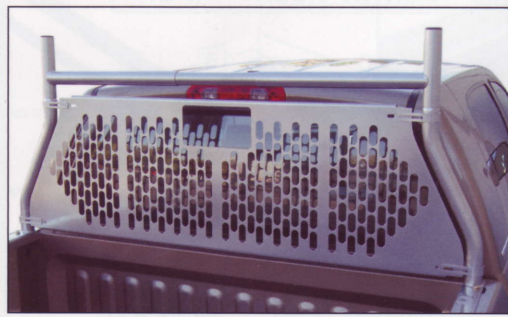
The strong and simple solution for affordable cargo handling. This thick wall, two inch diameter tubular rack has a 500 lb. load capacity. Beefy 3/16" thick foot plates are 17" long to provide a secure flat mounting base for your tool box. Universal **no-drill mounting brackets** (below left) fit all pick-up makes and models. No-drill brackets included with #30050, optional accessory for #30040. The rack is quickly and easily removed when not in use. The crossbar height (bedrail to bottom of bar) can be set to either 23.5" or 26.5". Finish is black marine grade powdercoat.

POWDER COATED TOUGH™

- Steel Pair Front and Back Part #30040
- Steel Front Only Part #30050
- No-Drill Clamp-On Mounts Part #31580

Econo Cab Guard Screen

Don't let that load shift into your cab! Add this accessory high strength 16 gauge steel see-through screen to your 30040 or 30050 Econo Truck Rack. Finish is black marine grade powdercoat. Part #31090.



RACKS FOR TRUCKS WITH SHELL

HEAVY-DUTY PRO II MATERIAL RACK

Now ALL KargoMaster steel racks are YELLOW ZINC PLATED for SUPERIOR CORROSION PROTECTION!

Normal Grade Powder Coat



For Full Size Trucks Only



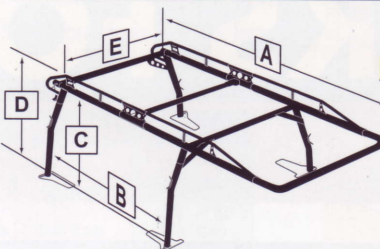
For Full Size Trucks Only



Camper Shell Front Mount Assembly

With camper shell applications, the rack footplates cantilever out from the side of the truck. This unique Kargo Master front mount assembly eliminates stress that can bend or otherwise damage thin sheet metal used in late model truck beds. Mounting is safe, simple, and solid as a rock. Front Mount assembly is included with all Camper Shell racks.

PRO-II • TRUCK WITH SHELL	TRUCK TYPE:					
	FULL SIZE		F-250, F-350, Crew Cab			
	Std. Cab	Ext. Cab	Short	Long	Short	Long
BED TYPE:	Short	Long	Short	Long	Short	Long
A	128"	145"	155"	172"	155"	172"
B	73"	91"	73"	91"	73"	91"
C	25" or 28" or 31"				27" or 33"	
D	32" or 35" or 38"				34" or 40"	
E	62"					

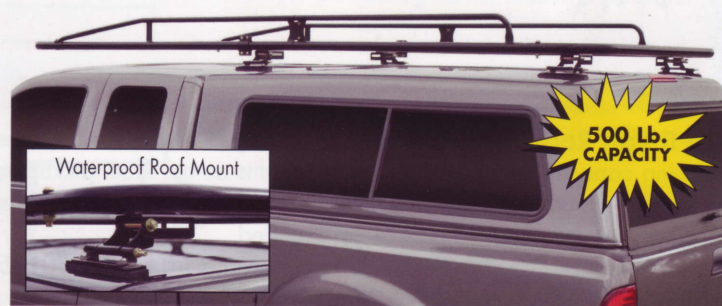


MEDIUM-DUTY PRO III MATERIAL RACKS



For Mini/Mid Size Trucks Only

#80030 Mounts on truck bed rail, features 1 5/8" tubing, heavy duty front mount assembly shown above, beefy 1/4" tk. foot plates, and a load capacity consistent with smaller mini/med trucks. Dimensions same as #80020, except width E is 55", and heights C and D can be increased 6" with accessory leg kit #31650.



Fits All Size Camper Shells

#80050 Mounts on top of camper shell. Perfect for fiberglass shells that wrap around truck bed rails. No notching for foot plates. Top mount feet can be located at any length, or width between 39"-45" apart. Heavy rubber gasket between shell top and mount plate provides waterproof seal. Rack is 135" long.

MEDIUM-DUTY ECONO LADDER RACK



Fits All Trucks With Cab High Shells

#30060 Mounts on truck bed rail, features sturdy 2" tubing, beefy 1/4" tk. foot plates, and two height settings, 24" or 27". (High Setting Shown)

SEE NEXT PAGE FOR CAMPER SHELL RACK MOUNT OPTIONS

MOUNT OPTIONS FOR CAMPER SHELL RACKS

#31400-78" Bed
#31420-96" Bed

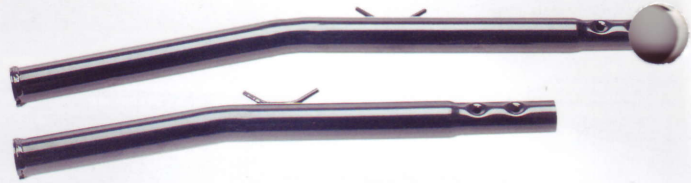


**Won't Fit 99+
Super Duty**

Full Length "KS" Tie-Down Rail Rack Mounts (For camper shell racks)

These accessory rail mounts distribute the rack load and provide a flat base for a tight seal on your shell. PLUS - the welded 1" diameter full length tube gives you tie down points for cargo control and a strong step rail for access to top of rack.

Taller Legs For High Rise Shells

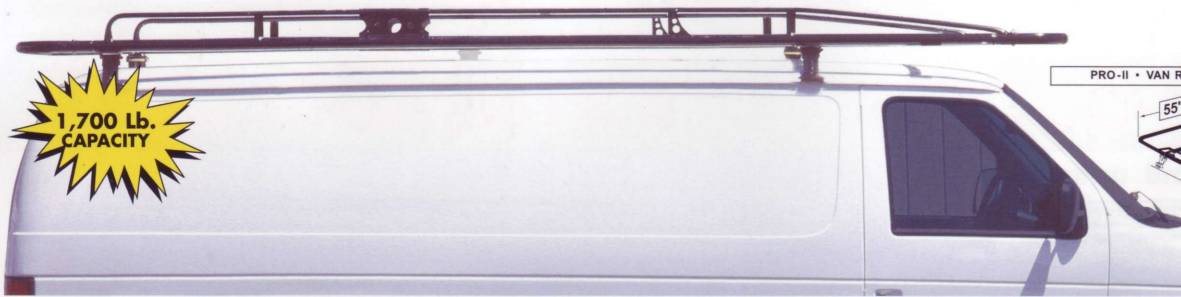


These extended camper shell legs (set of four) are longer than standard to provide extra clearance for high rise camper shells.

- #31650 - 6" Taller for Mini Trucks - Pro III (Not shown)
- #31550 - 3" Taller for Full Size - Pro II
- #31530 - 6" Taller for Full Size - Pro II
- #31540 - 6" Taller for F250 & F350.

RACKS FOR VANS

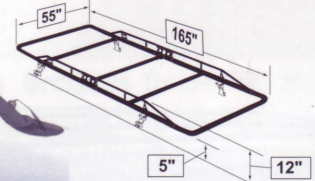
HEAVY-DUTY PRO II MATERIAL RACK



**1,700 Lb.
CAPACITY**

PRO-II • VAN RACK

ALL VAN TYPES:



Pro-II Van Racks - For the big tough jobs you can't beat our super strong Pro-II series van racks. Built with the same 1700 pound carrying capacity and superior design benefits as our Pro-II pickup truck racks. Fits standard and extended box vans. The Pro-II rack's heavy duty mounts clamp securely to your van's rain gutters and come standard with four 2" diameter cross bars. Round aerodynamic crossbars reduce wind noise. Two kits required.

Parts #04750 + #01750 Black

Parts #04753 + #01753 White

MEDIUM-DUTY ECONO LADDER RACKS



**EZ-on-EZ-off
Mount Clamps**

- Two Bar Black
- Two Bar White
- Three Bar Black
- Three Bar White

- Part #30000
- Part #30003
- Part #30020
- Part #30023



**500 Lb.
CAPACITY**

Econo Van Racks - Much stronger than the ordinary van rack, the Econo Van medium duty racks feature thick wall, 1 1/2" diameter steel tube cross bars and our unique high strength adjustable height mounting brackets. Sold in two bar and three bar sets. The round crossbars and adjustable height feature eliminate wind noise common with square tube racks. Gloss black or white "Polyester Marine - Grade" powdercoating and high grade fasteners provide long life and durability.

RACKS FOR TRUCKS WITH SERVICE BODIES

For 8 Ft. (cutting reqd.) and 9 Ft. Service Bodies - Standard and Extended Cab Trucks.

Big 62" Width Cross Bars Provide More Carrying Capacity



These highly crafted racks are quick to assemble and install. Rear leg mount brackets attach to the rear panel of the body. Brackets are located at the reinforced outside corner of the box where they can be raised or lowered without hitting tail lights. The height of the rack over the cab can be optimally set for all makes and models of truck or service body. Mount brackets set the legs off 5/8" from the rear panel to accommodate top opening boxes.

Service Body Racks accept all Pro II accessories. Mount clamps are available to attach your custom accessories.

Fits Virtually All Makes And Models Of Service Body



1700 Pound Capacity!

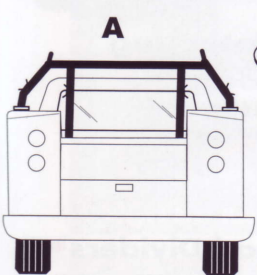
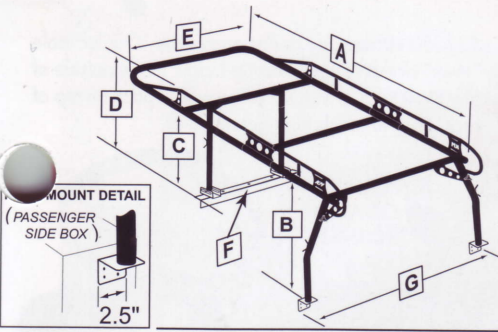
Lifetime Frame Guarantee!



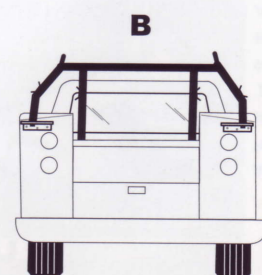
7" Vertical Leg Adjustment.
2" Frame Length Adjustment.

These highly crafted racks are quick to assemble and install. Our exclusive high strength round steel tubing and patented, precision fit interlocking components provide all the carrying capacity your truck and service body can handle. Our unique rear mounting brackets attach in areas where the rear body panel is reinforced. Telescoping front legs ensure optimal cab clearance.

PRO-II • SERVICE BODY	BODY TYPE:			
	8 FT.		9 FT.	9 FT. Ext. Cab 11 FT. Std. Cab
	Std. Cab	Ext. Cab	Std. Cab	Std. Cab
A	150"	172"	160"	180"
B	27"			
C	18" - 25"			
D	25" - 32"			
E	62"			
F	48"			
G	77.5 - 79"			



OPTION A PURCHASED SEPARATELY:
When it is not possible to attach the included rear leg mounts to the back panel of your service body, an alternative is to mount the rear legs on top of the box. In order to do this, you must purchase our accessory mount kit #70060.



OPTION B PURCHASED SEPARATELY:
When it is not possible to attach the included rear leg mounts to the back panel of your service body in the ATTACHING AREA as shown on page 1, an alternative is to mount the rear legs below the box lid and above the tail light/box lock. In order to do this, you must purchase our accessory mount kit #70060.

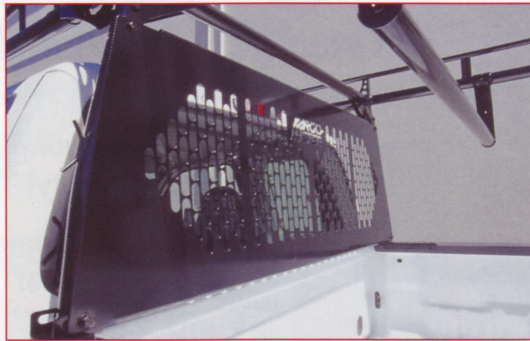
CUSTOM RACKS FOR FLEETS AVAILABLE



If you are looking to outfit a large fleet of service bodies, and need something a little different than the standard Kargo Master product, our engineers and designers would be happy to work with you. So long as the materials of construction and tooling stay basically the same, we can change the dimensions, mounts, color, etc. to exactly meet your needs. We can also provide specialized accessories. Please call us to discuss. You will find our price and lead time very reasonable.

TRUCK RACK ACCESSORIES

IMPORTANT: Unless Otherwise Noted, All Accessories Below Are Steel, And Will Fit Only 2" Dia. Pro II and IV. Parts With Red Asterisk* Will Fit Pro III, But Bushing #31700 Is Required.



Window Guard

#31080 Pro II Steel Full Size
#31710 Pro IV Aluminum Full Size
Protects rear cab window while adding support to both the rack and truck bed. For all Pro-II racks. Powder coated 16 gauge cold rolled steel.

Additional brackets required (31080C) for use with 01040 Leg Kit, or Pro III.



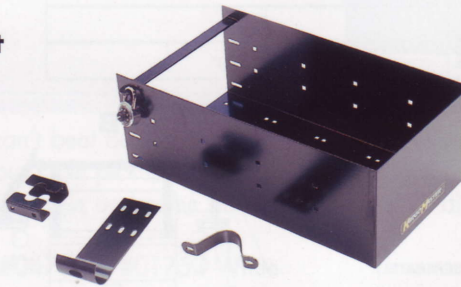
Front Bar Wind Deflector*

#31570 - All truck racks makes some wind noise when air rushes around front U bar. This clamp-on deflector can be adjusted to significantly reduce noise.



Conduit Box Kit

#31000 - Carrying stall safely secures tubing or pipe to your rack. Made of heavy gauge powder coated steel. Includes complete mounting bracket kit. Use with our load dividers or when boxes are used in pairs, cargo can be locked to prevent theft.



Water Jug Mount*

#31160 - Mounts Igloo™ style water barrel to leg of any Pro-II pickup rack.



Bed Support

(left) #31040 Full size truck - Adjustable strut connects to front rack leg mounting bolts. Properly adjusted, it eliminates more than half of the vertical load pressure on truck bed sides.



Light Mount*

(left) #31170 - Mounts emergency flasher lights to any location on side rails.



Load Dividers*

(right) #31020 (pair) - Clamps to cross bar tubes to control cargo movement. Use separately or with conduit box.



Ratchet Strap Tie Downs*

(left) #31490 (pair) - We recommend that all cargo be secured to your rack. These bolt-on strap ratchets allow quick and easy tie down of items on top of the rack. Order two for best cargo control.



Utility Hook

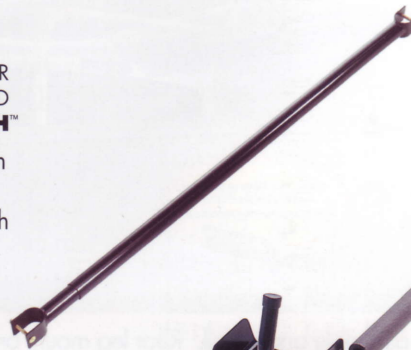
(left) #31150 - Side mount hook holds coiled materials within easy reach of ground.



Quick Clamp Cross Bar

(right) #31110 - Provides additional support points any where you need them. Removes quickly for bed access or taller loads.

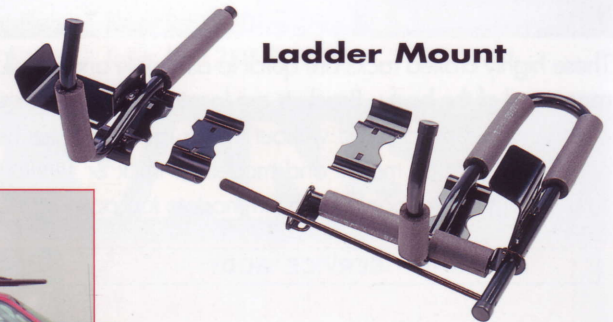
POWDER COATED TOUGH™
Available In Black Or White Finish



Extra Cross Bar Pro III & IV

#31600 - 1 1/2" Steel Black - Pro III
#31690 - 2" Aluminum Silver - Pro IV
Provides additional support points any where you need them. Removes quickly for bed access or taller loads.

Ladder Mount



#31050 - Driver side or Passenger side - Our lockable "Jaws" clamp securely mounts ladder to the outside of any Pro-II truck or van rack. Preserves space on top of rack. Easy to reach from ground level.