

# KARGO MASTER®

WE PUT EVERYTHING WITHIN REACH.



KARGOMASTER.COM

40+  
YEARS

**2017 CATALOG**  
TRUCK RACKS &  
CARGO VAN EQUIPMENT



**WE PUT EVERYTHING WITHIN REACH.**

**For over 40 years ...**

**Kargo Master** has been giving you more ... more function, more strength, more durability, and more style than any other manufacturer of truck and van equipment. When you purchase **Kargo Master**, you get the best products, the best warranty (lifetime), and the best price.

**Located in Rancho Cordova, California ...**

With over 100,000 square feet of manufacturing and warehousing facilities, **Kargo Master** is able to manufacture in house or source elsewhere products which provide the industry's best value proposition ... including design, fabrication, powder coating and packaging.

Innovation, automation, and critical process controls is what gives us the competitive edge, which in turn gives you a better deal.

**We manufacture and sell productivity ...**

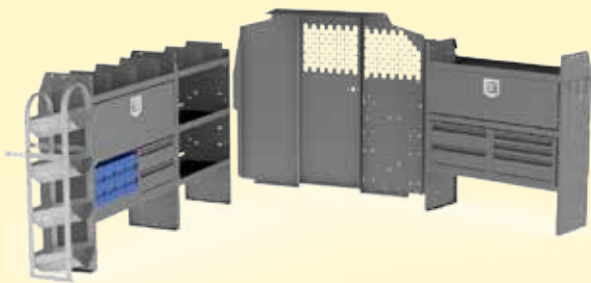
Every **Kargo Master** product is thoughtfully designed to make you more efficient, more organized and more profitable. Faster, easier and safer, that is what we're all about. It's tough out there. You can't afford to waste any time accessing or storing your tools and supplies. Get there, get it done and get going with **Kargo Master** equipment.

**TRUCK RACKS & CARGO VAN EQUIPMENT**



**NEW FOR 2017**

**Kargo Master Products for Mercedes Metris**



**VAN PACKAGES** p. 22-23

**Base** 4001M

**Commercial** 4003M

**General Service** 4004M

**Electric & Gas Appliance Repair** 4005M

**Heating & A/C Repair** 4006M

**Tradesman Service** 4010M



**VAN CARGO RACKS**

**EZ Drop Down** p. 32

**Clamp & Lock** p. 33

**Crossbar** p. 34-35

Mercedes Metris vans deserve a Kargo Master rack.

ABOUT **KARGO MASTER** Inside Front Cover

**KARGO MASTER VAN PARTS** 2

Partitions ..... 2  
 Window Screens ..... 3  
 Shelving Application Guide..... 4  
 EZ Adjustable Shelving ..... 5  
 Shelf Accessories ..... 6  
 Additional Van Equipment..... 8  
     Passenger Van Heavy-Duty No-Slip  
     Side Steps ..... 9  
     Heavy Duty 3 Drawer Unit ..... 10

**KARGO MASTER VAN PACKAGES** 11

Van Packages Index & Introduction ..... 11

**LOW ROOF FULL-SIZED VANS**

Base (Shelves & Partitions) ..... 12  
     & Commercial Bin

General Service ..... 13  
     & Tradesmen Service

Heating & A/C Repair ..... 14  
     & Electric & Gas Appliance Repair

Electrical Contractor ..... 15  
     & EZ General Service

General Contractor ..... 16  
     & America's Most Popular

Cable ..... 17  
     & Security

**MID/HIGH ROOF FULL-SIZED VANS**

Base (Shelves & Partitions) ..... 18  
     & General Service

Cable ..... 19  
     & Security

HVAC ..... 20  
     & Electrical Contractor

America's Most Popular ..... 21  
     & EZ All Trades

**METRIS VAN PACKAGES**

Base (Shelves & Partitions), ..... 22  
     Commercial Bin & General Service

Electric & Gas Appliance Repair, ..... 23  
     Heating & A/C Repair  
     & Tradesman Service

**KARGO MASTER VAN PACKAGES** (Continued)

**COMPACT CARGO VANS**

Commercial Shelving (Shelves &..... 24  
     Sheet Metal or Wire Partitions)

Deluxe Commercial Shelving ..... 25  
     & HVAC

General Service ..... 26  
     & Electrical Contractor

Plumbing ..... 27  
     & Telecom

**ALUMINUM COMPACT CARGO VANS**

Commercial Shelving ..... 28  
 Deluxe Commercial, ..... 29  
     HVAC & Telecom

**KARGO MASTER VAN RACKS** 30

About Kargo Master Van Cargo  
     & Ladder Racks ..... 30

Van Cargo & Ladder Racks  
     Application Guide ..... 31

EZ Drop Down Ladder Racks ..... 32

Clamp & Lock Ladder Racks ..... 33

Van Cargo Racks ..... 34  
     Ladder Rack Accessories

Crossbar Ladder Racks ..... 35

Heavy-Duty Pro II Van Cargo Rack ..... 36

**KARGO MASTER TRUCK RACKS & EQUIPMENT** 37

About Kargo Master Truck Racks ..... 37

Truck Racks Application Guide ..... 38

Heavy-Duty Pro II Pick Up Truck  
     Cargo Rack ..... 39

Medium-Duty Pro III Pick Up Truck  
     Cargo Racks ..... 40

Medium-Duty Pro IV Aluminum Pick Up  
     Truck Cargo Racks..... 41

Service Bodies Cargo & Ladder  
     Truck Racks ..... 42

Covered Service Bodies Ladder Racks ..... 43

Medium-Duty Econo Pick Up Truck  
     Utility Racks ..... 44

Racks for Pick Up Trucks With Shells ..... 45

Additional Truck Racks ..... 46

Truck Rack Accessories ..... 47

**KARGO MASTER PRODUCT INDEX** 48

Cargo Van Product Index..... 48

Truck Product Index ..... Inside Back Cover

Retractable Ratchet Straps

# PARTITIONS

## SHEET METAL PARTITIONS



COMPACT CARGO VAN PARTITIONS



LOW ROOF FULL-SIZED VAN PARTITIONS



MID/HIGH ROOF FULL-SIZED VAN PARTITIONS

### Kargo Master Sheet Metal Partitions Features and Benefits

- 18 gauge steel, hemmed and embossed to provide extra strength, security and reduce noise.
- EXTRA SECURITY. Corner contoured to prevent reaching in from the cab to unlock side door.
- Optional tight compression center panel door latch handle and lock kit #40620 helps to prevent annoying rattle (see page 8).
- Quick and easy to install.
- Power coated with matte powder coat to minimize glare and resist scratching and chipping.
- Separate wing kits for GM, Ford, Sprinter, Nissan and Ram ProMaster.
- Multiple partition attachment points and rubber cushioned door frame prevents noise.

VAN TYPE	PART #	DESCRIPTION
<b>Compact Cargo Van</b>		
Partition *No Wing Kit Required	40670	2014 and Up Transit Connect/City Express/NV200/Ram ProMaster City Perforated Top Sheet Metal Partition
Partition *No Wing Kit Required	4067A	<b>NEW</b> 2014 and Up Transit Connect/City Express/NV200/Ram ProMaster City - Perforated Top Aluminum Metal Partition
Partition	40640	Metris Cargo Van Partition
Wing Kit	4064M	Metris Wing Kit
<b>Low Roof Full-Sized Van</b>		
Partition	40640	Common Low Roof Partition Panels Center & Curb Side Panels Perforated
Wing Kit	4064C	GM Wing Kit Express/Savana
Wing Kit	4064F	Ford E-Series Wing Kit
Wing Kit	406TL	Ford Transit Low Roof Wing Kit
Wing Kit	406NL	Nissan NV Low Roof Wing Kit
<b>Mid/High Roof Full-Sized Van</b>		
Partition	4061S	Sprinter High Roof Partition *Wing Kit Included
Partition	40651	Common Mid/High Roof Partition Panels Center & Curb Side Panels Perf.
Wing Kit	406TH	Ford Transit Mid/High Roof Wing Kit
Wing Kit	406NH	Nissan NV High Roof Wing Kit
Wing Kit	4064P	Ram ProMaster Low/High Roof Wing Kit
Wing Kit	406SL	Sprinter Low Roof Wing Kit
Center Panel Latch & Door Lock	40620	Kit for Low Roof and Mid/High Roof Full-Sized Vans (see page 8)



RAM PROMASTER VAN PARTITIONS



ALUMINUM COMPACT CARGO VAN PARTITIONS

## WIRE PARTITIONS



COMPACT CARGO VAN WIRE PARTITIONS

### Kargo Master Wire Partitions Features and Benefits

Heavy 7 gauge wire mesh (2.5" squares) keeps product, equipment, supplies and/or pets in the cargo area. An economical way to protect driver and passenger. Provides excellent rear visibility.

Designed so that cab seats can be fully pushed back and reclined somewhat for driver comfort. Quick easy installation uses existing factory mounts. Powder coated grey.

Van Type	Part #	Description
<b>Compact Cargo Van</b>		
Partition	40680	2014 and Up Transit Connect/City Express/NV200/Ram ProMaster City Wire Partition

(800) 343-7486

P2 VISIT [KARGOMASTER.COM](http://KARGOMASTER.COM) FOR MORE INFORMATION

**KARGO MASTER**  
WE PUT EVERYTHING WITHIN REACH

## For Ford E-Series, Transit, Transit Connect & GM



**FORD TRANSIT CONNECT HINGED REAR DOORS**



**GM & FORD HINGED SIDE DOORS**



**FORD TRANSIT HINGED REAR DOORS**

### Kargo Master **Window Screens** Features and Benefits

Our window screens add more security and protection to your valuable tools inside the van. Window screens are coated with a gray powder coat finish. Custom-fit window screens are easy to install; no assembly is required. All hardware is included.

- Industry's strongest 7 gauge wire frame, 9 gauge grid screens and loops secure cargo area windows. A thief will need more than wire cutters to get through these.
- Powder coated no glare matte gray.
- Models available for GM and Ford E-Series sliding side and hinged doors, hinged rear doors for Ford Transit, Transit Connect, GM and Ford E-Series, and sliding side or hinged door for Ford Transit.
- Nationwide lifetime frame Warranty.

PART #	COLOR	DESCRIPTION
4070F	Grey	Ford E-Series Side Door Hinged (set of 2)
4071F	Grey	Ford E-Series Side Door Sliding (single)
4072F	Grey	Ford E-Series Rear Door Hinged (set of 2)
4070T	Grey	2015+ Low Roof Ford Transit Side Door Hinged (set of 2)
4071T	Grey	2015+ Low Roof Ford Transit Side Door Sliding (single)
4073T	Grey	2015+ Low Roof Ford Transit Rear Door Hinged (set of 2)
4075T	Grey	2015+ Mid/High Roof Ford Transit Side Door Sliding (single)
4076T	Grey	2015+ Mid/High Roof Ford Transit Rear Door Hinged (set of 2)
4079T	Grey	2014+ Ford Transit Connect Rear Door Hinged (set of 2)
4070C	Grey	GM Side Door Hinged (set of 2)
4071C	Grey	GM Side Door Sliding (set of 2)
4072C	Grey	GM Rear Door Hinged (set of 2)



**FORD SIDE DOOR SLIDING**




# EZ ADJUSTABLE SHELVING Application Guide

	Adjustable Shelf Unit 26"W x 43"H	Adjustable Shelf Unit 32"W x 43"H	ALUMINUM Adjustable Shelf Unit 32"W x 43"H	ALUMINUM Adjustable Shelf Unit 62"W x 43"H	Adjustable Shelf Unit 32"W x 46"H	Adjustable Shelf Unit 32"W x 60"H	Adjustable Shelf Unit 42"W x 46"H	Adjustable Shelf Unit 42"W x 60"H	Adjustable Shelf Unit 52"W x 46"H	Adjustable Shelf Unit 52"W x 60"H
VAN TYPES	PART #	PART #	PART #	PART #	PART #	PART #	PART #	PART #	PART #	PART #
<b>LOW ROOF FULL-SIZED VANS</b>										
Ford E-Series	--	--	--	--	48320	--	48420	--	48520	-
Ford Transit	--	--	--	--	48320	--	48420	--	48520	--
GMC/Chevy	--	--	--	--	48320	--	48420	--	48520	--
Nissan NV	--	--	--	--	48320	--	48420	--	48520	--

<b>MID/HIGH ROOF FULL-SIZED VANS</b>										
Ford Transit	--	--	--	--	48320	<b>NEW</b> 48324	48420	48424	48520	48524
Nissan NV	--	--	--	--	48320	48324	48420	48424	48520	48524
Ram ProMaster	--	--	--	--	48320	48324	48420	48424	48520	48524
Sprinter	--	--	--	--	48320	48324	48420	48424	48520	48524

<b>COMPACT CARGO VANS</b>										
Chevy City Express	4826L	4832L	<b>NEW</b> 4832A	<b>NEW</b> 4862A	--	--	48420	--	--	--
Ford Transit Connect	4826L	4832L	4832A	4862A	--	--	--	--	--	--
Metris <b>NEW</b>	--	--	4832A	4862A	48320	--	48420	--	--	--
Nissan NV200	4826L	4832L	4832A	4862A	--	--	48420	--	--	--
Ram ProMaster City	4826L	4832L	4832A	4862A	--	--	--	--	--	--

## KARGO MASTER OFFERS SHELF SIZES TO FIT EVERY VAN



**43" or 46" Tall Units  
Have 3 Shelves**

**4826L\*** 26"W x 43" H x 14"D  
**48320** 32"W x 46" H x 14"D  
**4832A** 32"W x 43" H x 12"D **NEW**  
**4832L\*** 32"W x 43" H x 14"D  
**48420** 42"W x 46" H x 14"D  
**48520** 52"W x 46" H x 14"D  
**4862A** 62"W x 43" H x 12"D **NEW**

**60" Tall Units  
Have 4 Shelves**

**48324** 32"W x 60" H x 14"D **NEW**  
**48424** 42"W x 60" H x 14"D  
**48524** 52"W x 60" H x 14"D



## Popular Kargo Master Shelf Accessories

(See Pages 6 & 7 for All Choices)



(800) 343-7486

P4 VISIT [KARGOMASTER.COM](http://KARGOMASTER.COM) FOR MORE INFORMATION

**KARGO MASTER**  
WE PUT EVERYTHING WITHIN REACH

Available in 9 Sizes for all Cargo Vans - Quick, Easy & Economical

## Kargo Master EZ Adjustable Shelving Features and Benefits

The **Kargo Master EZ Adjustable Shelving System** is one of the most durable and flexible shelving systems available on the market. All **Kargo Master** shelving units are built with a unique lance support technique, which provides additional shelf-to-structure support on each shelf layer. Each van shelf is constructed with powder coated heavy duty steel that provides protection against abrasive use. The individual shelves of each **Kargo Master** shelving unit can be adjusted to differing heights depending on each unique shelving need. Van shelves are also contoured with the frame to enable the unit to fit flush against your van walls; maximizing space. Steel back panels are included with these shelves. Each shelf comes with built-in 2" lips to retain cargo during transport. Additional **Kargo Master** shelving accessories are available to meet your custom van storage needs!



- Convenient formed shelf supports and permanent "pressed-in" fasteners enable you to assemble EZ shelf units in only 15 minutes. Contoured end panels provide flush fit to van side, widest possible van aisle.
- Contoured full steel shelf back provides additional strength and convenience.
- Position the middle shelf to accept **Kargo Master** standard drawer cabinets, or select two other practical shelf heights. Or, install an accessory 4th shelf. Middle shelf height can be adjusted with shelf unit mounted in the van.
- Each shelf comes with built-in 2" lips to contain cargo.
- EZ shelving is specifically designed to reduce noise and rattle.

PART #	DESCRIPTION
4826L	Adjustable Shelf Unit 26"W x 43"H x 14" D
48320	Adjustable Shelf Unit 32"W x 46"H x 14" D
48324	Adjustable Tall Shelf Unit 32"W x 60"H x 14" D <span style="float: right;">NEW</span>
4832A	<b>Feather-Lite Aluminum</b> Adjustable Tall Shelf Unit 32"W x 43"H x 12" D For 2014+ Transit Connect, NV200, Chevy City Express, Ram ProMaster City <span style="float: right;">NEW</span>
4832L	Adjustable Shelf Unit 32"W x 43"H x 14" D For 2014+ Transit Connect, NV200, Chevy City Express, Ram ProMaster City
4862A	<b>Feather-Lite Aluminum</b> Adjustable No Drill Shelf Unit 61"W x 43"H x 12" D For 2014+ Transit Connect, NV200, Chevy City Express, Ram ProMaster City <span style="float: right;">NEW</span>
48420	Adjustable Shelf Unit 42"W x 46"H x 14" D
48424	Adjustable Tall Shelf Unit 42"W x 60"H x 14" D
48520	Adjustable Shelf Unit 52"W x 46"H x 14" D
48524	Adjustable Tall Shelf Unit 52"W x 60"H x 14" D



**EZ ADJUSTABLE SHELVING IS SPECIFICALLY DESIGNED TO REDUCE NOISE AND RATTLE**



# SHELF ACCESSORIES

Lots of Convenient Accessories to Extend Your Van's Usefulness



## Shelf Door Kits

- Lockable door protects your valuable tools.
- Rubber silencer eliminates rattling and noise.

40010	For 42" W Shelf
40020	For 32" W Shelf
40040	For 52" W Shelf

## Aluminum Shelf Door Kit



4002A	32" W Shelf Door Kit
-------	----------------------



## Steel 2 Drawer Cabinet

- 20" W x 12" H x 13.5" D
- Heavy-duty 40# ball bearing slides.
- Individual drawer latches.

40070	Steel 2 Drawer Cabinet
-------	------------------------

## 10" W Shelf Lip



48190	10" L x 2.75" H Shelf Lip
-------	---------------------------



## Steel 3 Drawer Cabinet

- 20" W x 12" H x 13.5" D
- Heavy-duty 40# ball bearing slides.
- Individual drawer latches.
- Plastic small parts divider for shallow drawer.

40080	Steel 3 Drawer Cabinet
-------	------------------------

## 20" W Shelf Lip



48180	20" L x 2.75" H Shelf Lip
-------	---------------------------



## Steel 4 Drawer Cabinet

- 20" W x 12" H x 13.5" D
- Heavy-duty 40# ball bearing slides.
- Individual drawer latches.
- Plastic small parts divider for shallow drawer.

40090	Steel 4 Drawer Cabinet
-------	------------------------

## 42" W Floor Angle/Shelf Lip



48220	42" W x 3.5" H Floor Angle/ Shelf Lip to Mount 42" Door Kit #40010 in Floor Opening
-------	---



## Extra Shelves

- Customize your work van with additional shelving.
- Easy to install. No assembly required.

48150	52" W Extra Shelf for 48520 & 48524
48160	42" W Extra Shelf for 48420 & 48424
48170	32" W Extra Shelf for 48320 & 48324

## 52" W Floor Angle/Shelf Lip



48230	52" W x 3.5" H Floor Angle/ Shelf Lip to Mount 52" Door Kit #40040 in Floor Opening
-------	---

(800) 343-7486

P6 VISIT [KARGOMASTER.COM](http://KARGOMASTER.COM) FOR MORE INFORMATION

**KARGO MASTER**  
WE PUT EVERYTHING WITHIN REACH



## More Convenient Accessories to Help You Organize Your Van

### 5" W Plastic Small Parts Bin

5" W x 3.5" H x 11" D Bins + 5 dividers



40330 5" W Plastic Small Parts Bin

### 10" W Plastic Shelf Bin

10" W x 5.5" H x 11" D Bins + 2 dividers



40310 10" W Plastic Shelf Bin

### Plastic Drawer Bin with Dividers

add to 40250 11" W x 4" H x 8" D



40140 Plastic Drawer Bin with Dividers

### 20" W Plastic Small Parts Bin Module

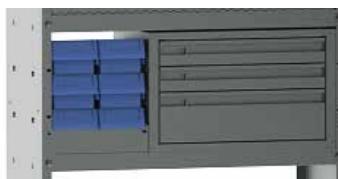
12 x 5" W x 3.5" H x 11" D Bins + 60 dividers (includes shelf lip)



48240 20" W Plastic Small Parts Bin

### 10" W Plastic Small Parts Bin Module

includes 6 x 5" W x 3.5" H x 11" D Bins + 30 dividers (includes shelf lip)



48250 10" W Plastic Small Parts Bin

### Shelf Dividers 3.5" Tall

Upper & Lower Shelf (set of 6)



40030 Shelf Dividers 3.5" Tall

### 10" W Plastic Bin Module

2 x 10" W x 5.5" H x 11" D Bins + 4 dividers (includes shelf lip)



48210 10" W Plastic Bin Module

### 20" W Plastic Bin Module

4 x 10" W x 5.5" H x 11" D Bins + 8 dividers (includes shelf lip)

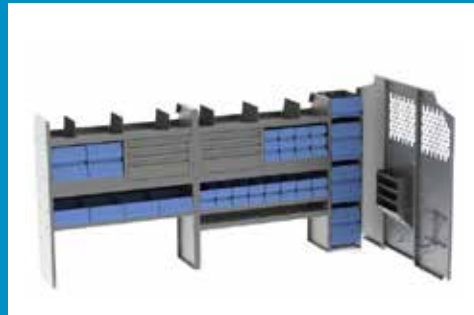


48200 20" W Plastic Bin Module

### 3-Prong "J" Hook



40060 3 Prong "J" Hook



# ADDITIONAL VAN EQUIPMENT

## Other Items to Configure Your Van Just the Way You Want It

### 3 Tier Refrigerant Tank Rack

- Securely holds 3-30 lb. tanks or 1-50 lb. and 2-30 lb. tanks.
- 14 gauge steel frame with sloped cradles and nylon retention straps.
- Fully welded.
- No assembly required.



40200 3 Tier Refrigerant Tank Rack

### 4-Tier Refrigerant Tank Rack

- Securely holds 4-9.5" diameter 30# tanks to maximize space.
- .25" steel bar frame with sloped cradles and nylon retention straps.
- Fully welded.
- No assembly required.



40100 4 Tier Refrigerant Tank Rack

### Driver Data File

- Heavy-duty 12" W or 8" W x 18" H x 20" D cabinet.
- Hinged lockable top with clip to hold papers.
- Built-in rails for hanging folders.



40210 Driver Data File - 12" W (Chevy Express & GMC Savana)

40240 Driver Data File - 8" W (Ford Transit & Ram ProMaster)

### Standing Bin Holder

7 x 10" W Bins with 2 dividers each



40290 Standing Bin Holder w/Bins

### Wire Reel Holder 5 Spindle



- 14.25" W x 29" H x 7.75" D
- 5 x rotation roll bar included.
- Adjustable spacing.
- Fits up to 3 x 12" diameter cable spool or 5 x smaller cable spool.
- Optimizes space.

40230 Wire Reel Holder 5 Spindle

### Standing Binder Rack



- 10" W x 46" H x 12" D
- Three interior shelving slots for easy storage of thick manuals.
- Open top desk region provides perfect work space.
- Great for access to reference materials.

40280 Standing Binder Rack

### Cabinet Locker Full Door



- Heavy-duty 18" W x 46" H x 14" D cabinet.
- 2 removable shelves.
- Heavy-duty "T" handle locking latch.
- No assembly required. Quick and easy install.
- Contoured top lets cabinet install flush against van walls.

40220 Cabinet Locker Full Door

### Hanging File Rack



- Easy filing for clipboards, work schedules, manuals and other documents.

40270 Hanging File Rack

### Wire Water Jug Holder



40300 Wire Water Jug Holder

### Center Panel Latch & Door Lock Kit (for Partitions)



- Provides easy access from driver side to cargo area.

40620 Center Panel Latch & Door Lock

(800) 343-7486

## PASSENGER VAN HEAVY-DUTY NO-SLIP SIDE STEPS



- Heavy-duty 10" wide 14 gauge steel steps and rigid thick mount brackets support passengers of all sizes.
- Steps have raised perforations for superior traction. Rain and snow drain through.
- Steps are made with galvanized steel and coated with zinc epoxy prime for superior corrosion protection.
- Finish powder coat is handsome metallic silver.
- Side steps have "reflective marking tape" for extra safety.



4700F	E-Series Ford Cab Steps, Driver and Passenger Side (2 x 40" Steps with Mount Kit)
4701F	E-Series Ford Passenger Area Step (1 x 60" Step with Mount Kit)
4700T	Ford Transit Cab Steps, Driver and Passenger Side (2 x 40" Steps with Mount Kit)
4701T	Ford Transit Passenger Area Step (1 x 40" Step with Mount Kit)
4702T	Ford Transit Long Wheel Base Passenger Area Step (1 x 60" Step with Mount Kit)
4700C	GM Cab Steps, Driver and Passenger Side (2 x 40" Steps with Mount Kit)
4701C	GM Passenger Area Step (1 x 60" Step with Mount Kit)
<b>**Cab step required to mount rear door step.</b>	

TOP: PASSENGER SIDE

BOTTOM: DRIVER SIDE

## KARGO MASTER IS ALWAYS OPEN FOR BUSINESS

- DOWNLOAD AN ELECTRONIC CATALOG
- VIEW INSTALLATION GUIDES AND TECHNICAL SPECS
- REQUEST A QUOTE
- CONTACT CUSTOMER SERVICE
- VIEW OR RECEIVE NEW PRODUCT ANNOUNCEMENTS
- SIGN-UP TO RECEIVE EMAIL NOTIFICATIONS OF NEW PRODUCTS



[kargomaster.com](http://kargomaster.com)

# HEAVY-DUTY LONG 3 DRAWER UNIT

## FLOOR 3 DRAWER UNIT



### Product Features and Benefits

- Heavy-duty long (56") 3 drawer cabinet can be installed on the floor behind the bulkhead (side door pull out) or above the rear wheel well (using accessory rotating wheel well stand - GMC/Chevy & Econoline only).
- 52" drawer extension provides ready access to equipment and parts while standing outside the van.
- Each heavy-duty drawer has a 175# load capacity.
- Unit includes 1 - 11" deep drawer and 2 - 5" deep drawers.
- Includes 4 plastic bins & bin dividers.
- Mounts hard against the passenger or driver side of the van, keeping the aisle clear for storage or passage.

40250 Long Heavy-Duty Steel  
3 Drawer Unit

## ROTATING WHEEL WELL STAND for Floor Drawer Unit

### Product Features and Benefits

- Designed to support fully loaded Heavy-Duty 3 Drawer Floor Unit.
- Allows Drawer Cabinet to be rotated slightly so drawer will clear the van rear door jam.
- Heavy-duty ball and roller bearings ensure smooth stable rotation.
- Stand has positive stops to lock cabinets in rotated and non-rotated position.



**IMAGE ON IMMEDIATE  
LEFT HAS DRAWERS  
ROTATED AWAY FROM  
VAN WALL TO ALLOW  
UNOBSTRUCTED ACCESS**



40260 Rotating Wheel Well Stand  
(Use with 40250 Above) - GMC/  
Chevy & Econoline Only

(800) 343-7486

P10 VISIT [KARGOMASTER.COM](http://KARGOMASTER.COM) FOR MORE INFORMATION

**KARGO MASTER**  
WE PUT EVERYTHING WITHIN REACH

FIND A PACKAGE	LOW ROOF	M/H ROOF	METRIS	COMPACT	ALUMINUM
	Page #	Page #	Page #	Page #	Page #
Base (Shelves & Partition)	12	18	22	--	--
America's Most Popular	16	21	--	--	--
Cable	17	19	--	--	--
Commercial Bin	12	--	22	--	--
Commercial Shelving	--	--	--	24	28
Commercial Shelving (Wire)	--	--	--	24	--
Deluxe Shelving	--	--	--	--	29
Deluxe Commercial Shelving	--	--	--	25	--
<b>Electric &amp; Gas</b>					
Appliance Repair	14	--	23	--	--
Electrical Contractor	15	20	--	26	--
EZ All Trades	--	21	--	--	--
EZ General Service	15	--	--	--	--
General Contractor	16	--	--	--	--
General Service	13	18	22	26	--
Heating & A/C Repair	14	--	23	--	--
HVAC	--	20	--	25	29
Plumbing	--	--	--	27	--
Security	17	19	--	--	--
Telecom	--	--	--	27	29
Tradesman Service	13	--	23	--	--

## KARGO MASTER PACKAGES MAKE IT EASY TO CHOOSE.

Our professional designers and product engineers have created customized van packages for specific service categories to help you easily outfit a van based on input from experienced industry tradesmen. These packages make one more efficient, more productive, more profitable and save wear and tear on your back and knees.

The chart on the left will help you locate available packages in the catalog by vehicle type. Naturally, since all **Kargo Master** products are modular, one can easily mix and match parts to one's liking either by building a custom configuration, or by adding parts to one of the available packages.

To view pre-configured packages, first choose your van type by roof height: **LOW ROOF (PAGES 12-17)**, **MID/HIGH ROOF (PAGES 18-21)**, **MERCEDES METRIS (PAGES 22-23)**, **COMPACT CARGO VANS (PAGES 24-27)** or **ALUMINUM COMPACT CARGO VANS (PAGES 28-29)**. Then thumb through the offerings until you find a package that meets your requirements.

Please note, all standard shelving for **LOW ROOF VANS** is 46" high ... for **MID/HIGH ROOF VANS** the shelving is 60" high. We now offer 43" high steel and aluminum shelving for **COMPACT CARGO VANS**.

For more information, or assistance with product information, contact a **Kargo Master** dealer, distributor or upfitter, call us at **(800) 343-7486**, or search on our website: [www.kargomaster.com](http://www.kargomaster.com).

# LOW ROOF Full-Sized Van Packages

## BASE 46" H Shelves

VEHICLE	PACKAGE #	PARTITION #	WING KIT #
GMC/CHEVY SWB	4001C	40640	4064C
GMC/CHEVY LWB	4013C	40640	4064C
FORD TRANSIT SWB LOW ROOF	40TRL	40640	406TL
FORD TRANSIT LWB LOW ROOF	40TLL	40640	406TL
NISSAN NV SWB LOW ROOF	40NVL	40640	406NL

IMPORTANT. BOTH "PARTITION" AND "WING KIT" PARTS ARE REQUIRED.



Part #4001C Standard Wheel Base is Shown

### 42" W SHELF PACKAGE

Part #	Description	Qty
1 #40640	Partition	1
2	Wing Kit (See Table Above)	1
3 #48420	42" W x 14" D x 46" H Shelves	3

### 52" W SHELF PACKAGE

Part #	Description	Qty
1 #40640	Partition	1
2	Wing Kit (See Table Above)	1
3 #48520	52" W x 14" D x 46" H Shelves	3

## COMMERCIAL BIN 46" H Shelves

VEHICLE	PACKAGE #	PARTITION #	WING KIT #
GMC/CHEVY SWB	4003C	40640	4064C
FORD TRANSIT SWB LOW ROOF	43TRL	40640	406TL

IMPORTANT. BOTH "PARTITION" AND "WING KIT" PARTS ARE REQUIRED.



Part #4003C Standard Wheel Base is Shown

### 42" W SHELF PACKAGE

Part #	Description	Qty
1 #40640	Partition	1
2	Wing Kit (See Table Above)	1
3 #48420	42" W x 14" D x 46" H Shelves	3
4 #40080	Steel 3 Drawer Cabinet	1
5 #40030	Shelf Divider (Set of 6)	1
6 #48180	20" L Shelf Lip	1



Optional  
Center Panel Lock & Door Lock Kit  
Part #40620

(800) 343-7486

P12 VISIT [KARGOMASTER.COM](http://KARGOMASTER.COM) FOR MORE INFORMATION

**KARGO MASTER**  
WE PUT EVERYTHING WITHIN REACH

## GENERAL SERVICE 46" H Shelves

VEHICLE	PACKAGE #	PARTITION #	WING KIT #
GMC/CHEVY SWB	4004C	40640	4064C
FORD TRANSIT SWB LOW ROOF	44TRL	40640	406TL
FORD TRANSIT LWB LOW ROOF	41TLL	40640	406TL
NISSAN NV SWB LOW ROOF	44NVL	40640	406NL

IMPORTANT. BOTH "PARTITION" AND "WING KIT" PARTS ARE REQUIRED.



Part #4004C Standard Wheel Base is Shown

### 42" W SHELF PACKAGE

Part #	Description	Qty
1 #40640	Partition	1
2	Wing Kit (See Table Above)	1
3 #48420	42" W x 14" D x 46" H Shelves	3
4 #40010	42" W Shelf Door Kits	2
5 #40070	Steel 2 Drawer Cabinet	1
6 #40080	Steel 3 Drawer Cabinet	1
7 #40060	3-Prong "J" Hooks	2
8 #40030	Shelf Divider (Set of 6)	1

### 52" W SHELF PACKAGE

Part #	Description	Qty
1 #40640	Partition	1
2	Wing Kit (See Table Above)	1
3 #48520	52" W x 14" D x 46" H Shelves	3
4 #40040	52" W Shelf Door Kits	2
5 #40070	Steel 2 Drawer Cabinet	1
6 #40080	Steel 3 Drawer Cabinet	1
7 #40060	3-Prong "J" Hooks	2
8 #40030	Shelf Divider (Set of 6)	1
9 #48190	10" L Shelf Lip (Not Shown)	1

## TRADESMAN SERVICE 46" H Shelves

VEHICLE	PACKAGE #	PARTITION #	WING KIT #
GMC/CHEVY SWB	4010C	40640	4064C
FORD TRANSIT SWB	41TRL	40640	406TL

IMPORTANT. BOTH "PARTITION" AND "WING KIT" PARTS ARE REQUIRED.



Part #4010C Standard Wheel Base is Shown

### 42" W SHELF PACKAGE

Part #	Description	Qty
1 #40640	Partition	1
2	Wing Kit (See Table Above)	1
3 #48420	42" W x 14" D x 46" H Shelves	3
4 #40010	42" W Shelf Door Kit	1
5 #40070	Steel 2 Drawer Cabinet	1
6 #48200	Plastic Shelf Bin Module	1



Optional  
Center Panel Lock & Door Lock Kit  
Part #40620

# LOW ROOF Full-Sized Van Packages

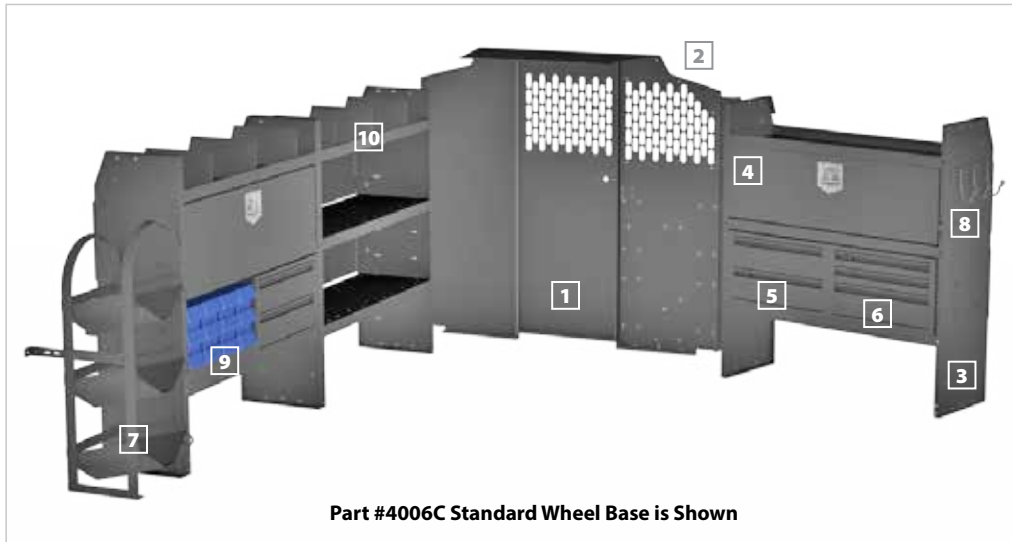
## HEATING & A/C REPAIR 46" H Shelves

VEHICLE	PACKAGE #	PARTITION #	WING KIT #
GMC/CHEVY SWB	4006C	40640	4064C
FORD TRANSIT SWB LOW ROOF	46TRL	40640	406TL
FORD TRANSIT LWB LOW ROOF	45TLL	40640	406TL
NISSAN NV SWB LOW ROOF	46NVL	40640	406NL

IMPORTANT. BOTH "PARTITION" AND "WING KIT" PARTS ARE REQUIRED.

42" W SHELF PACKAGE			
Part #	Description	Qty	
1	#40640 Partition	1	
2	Wing Kit (See Table Above)	1	
3	#48420 42" W x 14" D x 46" H Shelves	3	
4	#40010 42" W Shelf Door Kits	2	
5	#40070 Steel 2 Drawer Cabinets	2	
6	#40080 Steel 3 Drawer Cabinet	1	
7	#40200 3-Tier Refrigerant Tank Rack	1	
8	#40060 3-Prong "J" Hook	1	
9	#48240 Plastic Shelf Bin Module	1	
10	#40030 Shelf Divider (Set of 6)	1	

52" W SHELF PACKAGE			
Part #	Description	Qty	
1	#40640 Partition	1	
2	Wing Kit (See Table Above)	1	
3	#48520 52" W x 14" D x 46" H Shelves	3	
4	#40040 52" W Shelf Door Kits	2	
5	#40070 Steel 2 Drawer Cabinets	2	
6	#40080 Steel 3 Drawer Cabinet	1	
7	#40200 3-Tier Refrigerant Tank Rack	1	
8	#40060 3-Prong "J" Hook	1	
9	#48240 Plastic Shelf Bin Module	1	
10	#40030 Shelf Divider (Set of 6)	1	
11	#48190 10" L Shelf Lips (Not Shown)	2	

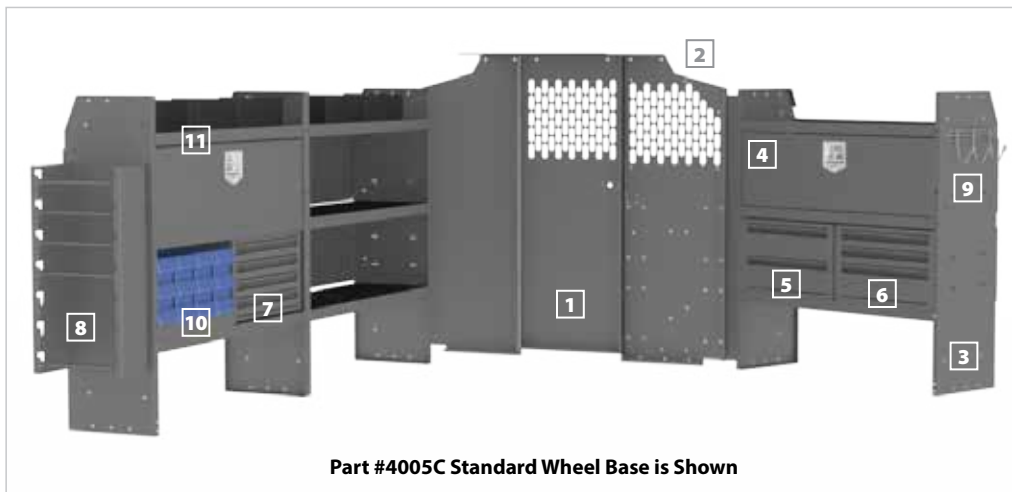


## ELECTRIC & GAS APPLIANCE REPAIR 46" H Shelves

VEHICLE	PACKAGE #	PARTITION #	WING KIT #
GMC/CHEVY SWB	4005C	40640	4064C
FORD TRANSIT SWB LOW ROOF	45TRL	40640	406TL

IMPORTANT. BOTH "PARTITION" AND "WING KIT" PARTS ARE REQUIRED.

42" W SHELF PACKAGE			
Part #	Description	Qty	
1	#40640 Partition	1	
2	Wing Kit (See Table Above)	1	
3	#48420 42" W x 14" D x 46" H Shelves	3	
4	#40010 42" W Shelf Door Kits	2	
5	#40070 Steel 2 Drawer Cabinet	1	
6	#40080 Steel 3 Drawer Cabinet	1	
7	#40090 Steel 4 Drawer Cabinet	1	
8	#40230 5 Spindle Wire Reel Holder	1	
9	#40060 3-Prong "J" Hook	1	
10	#48240 Plastic Shelf Bin Module	1	
11	#40030 Shelf Divider (Set of 6)	1	



Optional  
Center Panel Lock & Door Lock Kit  
Part #40620

(800) 343-7486

P14 VISIT [KARGOMASTER.COM](http://KARGOMASTER.COM) FOR MORE INFORMATION

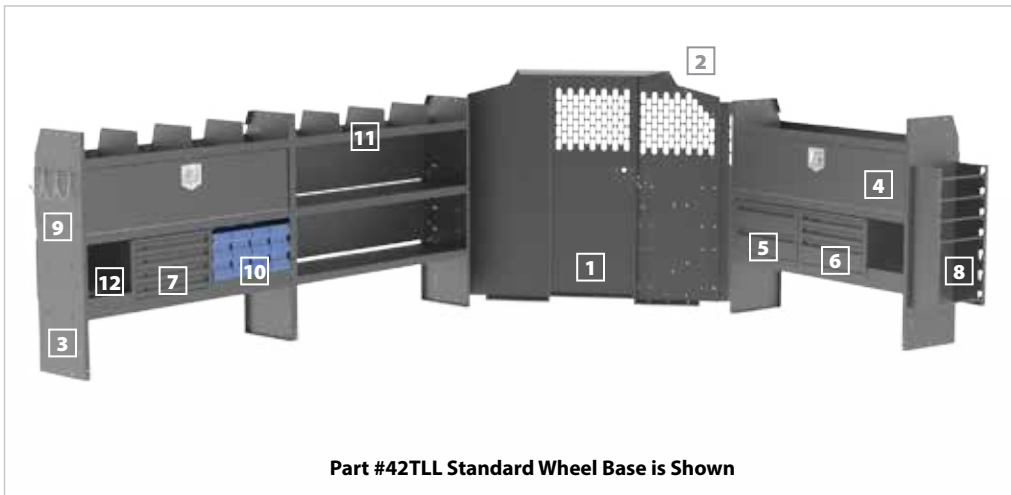
**KARGO MASTER**  
WE PUT EVERYTHING WITHIN REACH



## ELECTRICAL CONTRACTOR 46" H Shelves

VEHICLE	PACKAGE #	PARTITION #	WING KIT #
FORD TRANSIT <b>LWB LOW ROOF</b>	42TLL	46040	406TL

**IMPORTANT.** BOTH "PARTITION" AND "WING KIT" PARTS ARE REQUIRED.



Part #42TLL Standard Wheel Base is Shown

52" W SHELF PACKAGE			
Part #	Description	Qty	
1	#40640 Partition	1	
2	#406TL Wing Kit	1	
3	#48520 52" W x 14" D x 46" H Shelves	3	
4	#40040 52" W Shelf Door Kits	2	
5	#40070 Steel 2 Drawer Cabinet	1	
6	#40080 Steel 3 Drawer Cabinet	1	
7	#40090 Steel 4 Drawer Cabinet	1	
8	#40230 5 Spindle Wire Reel Holder	1	
9	#40060 3-Prong "J" Hook	1	
10	#48240 Plastic Bin Parts Module	1	
11	#40030 Shelf Divider (Set of 6)	1	
12	#48190 10" L Shelf Lips	2	



Optional  
**Center Panel Lock & Door Lock Kit**  
Part #40620

## EZ GENERAL SERVICE 46" H Shelves

VEHICLE	PACKAGE #	PARTITION #	WING KIT #
GMC/CHEVY <b>SWB</b>	4007C	40640	4064C
FORD TRANSIT <b>SWB LOW ROOF</b>	47TRL	40640	406TL
FORD TRANSIT <b>LWB LOW ROOF</b>	48TLL	40640	406TL

**IMPORTANT.** BOTH "PARTITION" AND "WING KIT" PARTS ARE REQUIRED.



Part #4007C Standard Wheel Base is Shown

42" W SHELF PACKAGE			
Part #	Description	Qty	
1	#40640 Partition	1	
2	Wing Kit (See Table Above)	1	
3	#48420 42" W x 14" D x 46" H Shelves	2	
4	#48250 Steel Long 3 Drawer	1	
5	#40260 Rotating Wheel Well Stand	1	
6	#40060 3-Prong "J" Hook	1	
7	#40310 Plastic Shelf Bins	4	
8	#40030 Shelf Divider (Set of 6)	1	

52" W SHELF PACKAGE			
Part #	Description	Qty	
1	#40640 Partition	1	
2	Wing Kit (See Table Above)	1	
3	#48520 52" W x 14" D x 46" H Shelves	2	
4	#48250 Steel Long 3 Drawer	1	
5	#40260 Rotating Wheel Well Stand	1	
6	#40060 3-Prong "J" Hook	1	
7	#40310 Plastic Shelf Bins	4	
8	#40030 Shelf Divider (Set of 6)	1	



Optional  
**Center Panel Lock & Door Lock Kit**  
Part #40620

# LOW ROOF Full-Sized Van Packages

## GENERAL CONTRACTOR 46" H Shelves

VEHICLE	PACKAGE #	PARTITION #	WING KIT #
GMC/CHEVY SWB	4002C	40640	4064C
FORD TRANSIT SWB LOW ROOF	42TRL	40640	406TL

IMPORTANT. BOTH "PARTITION" AND "WING KIT" PARTS ARE REQUIRED.



Part #4002C Standard Wheel Base is Shown

42" W SHELF PACKAGE			
Part #	Description	Qty	
1	#40640 Partition	1	
2	Wing Kit (See Table Above)	1	
3	#48420 42" W x 14" D x 46" H Shelves	2	
4	#48520 52" W x 14" D x 46" H Shelf	1	
5	#40010 42" W Shelf Door Kit	1	
6	#40040 52" W Shelf Door Kit	1	
7	#40070 Steel 2 Drawer Cabinet	1	
8	#40080 Steel 3 Drawer Cabinet	1	
9	#40280 Standing Binder Rack	1	
10	#40060 3-Prong "J" Hooks	2	
11	#40030 Shelf Dividers (Set of 6)	4	
12	#48220 Floor Angle Shelf Lip	1	

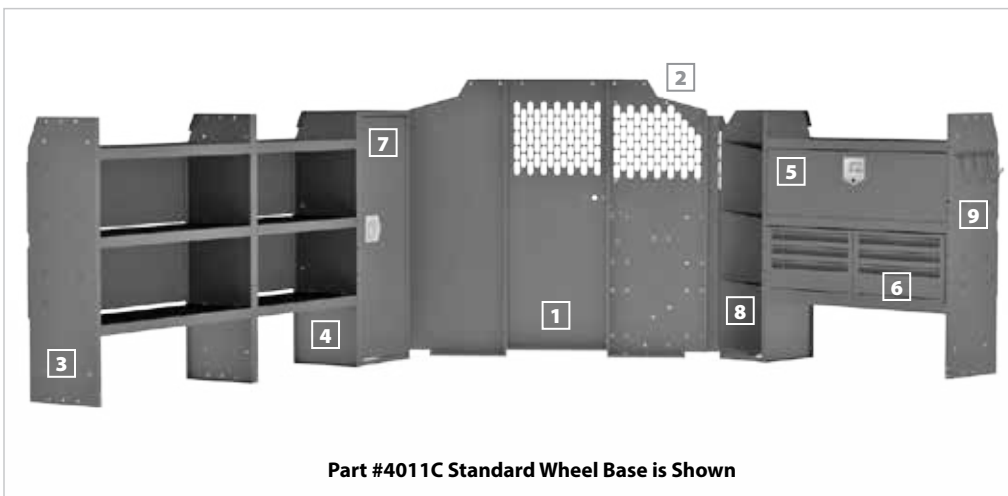


Optional  
Center Panel Lock & Door Lock Kit  
Part #40620

## AMERICA'S MOST POPULAR 46" H Shelves

VEHICLE	PACKAGE #	PARTITION #	WING KIT #
GMC/CHEVY SWB	4011C	40640	4064C
FORD TRANSIT SWB LOW ROOF	48TRL	40640	406TL
FORD TRANSIT LWB LOW ROOF	47TLL	40640	406TL

IMPORTANT. BOTH "PARTITION" AND "WING KIT" PARTS ARE REQUIRED.



Part #4011C Standard Wheel Base is Shown

42" W SHELF PACKAGE			
Part #	Description	Qty	
1	#40640 Partition	1	
2	Wing Kit (See Table Above)	1	
3	#48420 42" W x 14" D x 46" H Shelves	2	
4	#48320 32" W x 14" D x 46" H Shelf	1	
5	#40010 42" W Shelf Door Kit	1	
6	#40080 Steel 3 Drawer Cabinets	2	
7	#40220 Cabinet Locker Full Door	1	
8	#40280 Standing Binder Rack	1	
9	#40060 3-Prong "J" Hook	1	

52" W SHELF PACKAGE			
Part #	Description	Qty	
1	#40640 Partition	1	
2	Wing Kit (See Table Above)	1	
3	#48520 52" W x 14" D x 46" H Shelves	3	
4	#40040 52" W Shelf Door Kit	1	
5	#40080 Steel 3 Drawer Cabinets	2	
6	#40220 Cabinet Locker Full Door	1	
7	#40280 Standing Binder Rack	1	
8	#40060 3-Prong "J" Hook	1	
9	#48190 10" L Shelf Lip (Not Shown)	1	



Optional  
Center Panel Lock & Door Lock Kit  
Part #40620

(800) 343-7486

P16 VISIT [KARGOMASTER.COM](http://KARGOMASTER.COM) FOR MORE INFORMATION

**KARGO MASTER**  
WE PUT EVERYTHING WITHIN REACH

## CABLE 46" H Shelves

VEHICLE	PACKAGE #	PARTITION #	WING KIT #
FORD TRANSIT <b>LWB LOW ROOF</b>	<b>44TLL</b>	<b>40640</b>	<b>406TL</b>

**IMPORTANT.** BOTH "PARTITION" AND "WING KIT" PARTS ARE REQUIRED.



Part #44TLL Long Wheel Base is Shown

### 52" W SHELF PACKAGE

	Part #	Description	Qty
1	#40640	Partition	1
2	#406TL	Wing Kit	1
3	#48520	52" W x 14" D x 46" H Shelves	3
4	#40040	52" W Shelf Door Kit	1
5	#40070	Steel 2 Drawer Cabinets	2
6	#40060	3-Prong "J" Hooks	2
7	#40030	Shelf Divider (Set of 6)	1
8	#48190	10" L Shelf Lip	1



Optional  
**Center Panel Lock & Door Lock Kit**  
Part #40620

## SECURITY 46" H Shelves

VEHICLE	PACKAGE #	PARTITION #	WING KIT #
FORD TRANSIT <b>LWB LOW ROOF</b>	<b>43TLL</b>	<b>40640</b>	<b>406TL</b>

**IMPORTANT.** BOTH "PARTITION" AND "WING KIT" PARTS ARE REQUIRED.



Part #43TLL Long Wheel Base is Shown

### 52" W SHELF PACKAGE

	Part #	Description	Qty
1	#40640	Partition	1
2	#406TL	Wing Kit	1
3	#48520	52" W x 14" D x 46" H Shelves	3
4	#40040	52" W Shelf Door Kits	2
5	#40070	Steel 2 Drawer Cabinets	2
6	#40270	Hanging File Rack	1
7	#40310	Plastic Shelf Bins	5
8	#40060	3-Prong "J" Hooks	2
9	#40030	Shelf Dividers (Set of 6)	2
10	#48190	10" L Shelf Lip	1



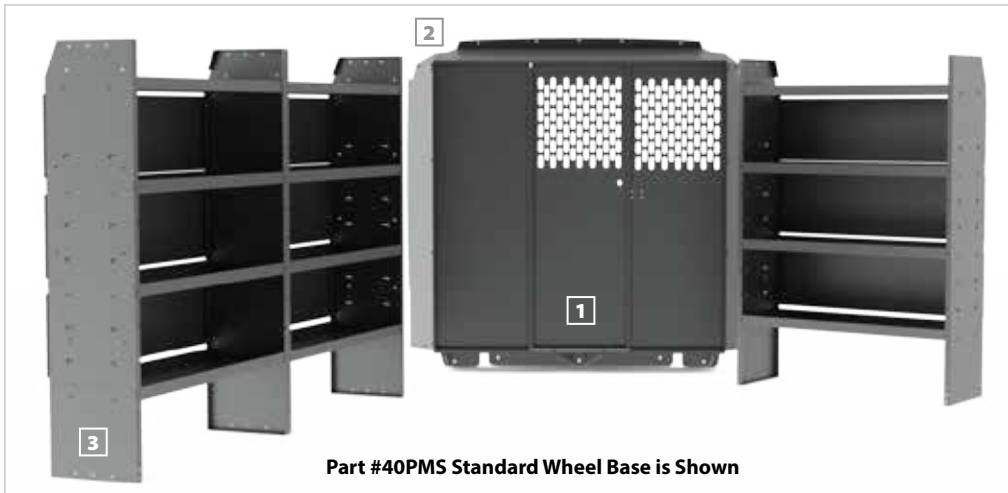
Optional  
**Center Panel Lock & Door Lock Kit**  
Part #40620

# MID/HIGH ROOF Full-Sized Van Packages

## BASE 60" H Shelves

VEHICLE	PACKAGE #	PARTITION #	WING KIT #
FORD TRANSIT <b>SWB MID/HIGH ROOF</b>	40TRM	40651	406TH
FORD TRANSIT <b>LWB MID/HIGH ROOF</b>	40TLM	40651	406TH
RAM PROMASTER <b>SWB LOW/HIGH ROOF</b>	40PMS	40651	4064P
RAM PROMASTER <b>LWB LOW/HIGH ROOF</b>	40PML	40651	4064P
NISSAN NV <b>SWB HIGH ROOF</b>	40NVH	40651	406NH
SPRINTER <b>LOW ROOF</b>	40SPL	40651	406SL
SPRINTER <b>HIGH ROOF</b>	40SPH	4061S	Wing Kit Inc.

**IMPORTANT.** BOTH "PARTITION" AND "WING KIT" PARTS ARE REQUIRED.



Part #40PMS Standard Wheel Base is Shown

42" W SHELF PACKAGE			
Part #	Description	Qty	
1	#40651 Partition	1	
2	Wing Kit (See Table Above)	1	
3	#48424 42" W x 14" D x 60" H Shelves	3	

52" W SHELF PACKAGE			
Part #	Description	Qty	
1	Partition (See Table Above)	1	
2	Wing Kit (See Table Above)	1	
3	#48524 52" W x 14" D x 60" H Shelves	3	

## GENERAL SERVICE 60" H Shelves

VEHICLE	PACKAGE #	PARTITION #	WING KIT #
FORD TRANSIT <b>SWB MID/HIGH RF</b>	41TRM	40651	406TH
FORD TRANSIT <b>LWB MID/HIGH ROOF</b>	41TLM	40651	406TH
RAM PROMASTER <b>SWB LOW/HIGH ROOF</b>	41PMS	40651	4064P
RAM PROMASTER <b>LWB LOW/HIGH ROOF</b>	41PML	40651	4064P
NISSAN NV <b>SWB HIGH ROOF</b>	41NVH	40651	406TH
SPRINTER <b>LOW ROOF</b>	41SPL	40651	406SL
SPRINTER <b>HIGH ROOF</b>	41SPH	4061S	Wing Kit Inc.

**IMPORTANT.** BOTH "PARTITION" AND "WING KIT" PARTS ARE REQUIRED.



Part #41TRM Standard Wheel Base is Shown

42" W SHELF PACKAGE			
Part #	Description	Qty	
1	#40651 Partition	1	
2	Wing Kit (See Table Above)	1	
3	#48424 42" W x 14" D x 60" H Shelves	3	
4	#40080 Steel 3 Drawer Cabinet	1	
5	#40090 Steel 4 Drawer Cabinet	1	
6	#40060 3-Prong "J" Hooks	2	
7	#40310 Plastic Shelf Bins	4	
8	#40030 Shelf Divider (Set of 6)	1	

52" W SHELF PACKAGE			
#	Part #	Description	Qty
1		Partition (See Table Above)	1
2		Wing Kit (See Table Above)	1
3	#48524	52" W x 14" D x 60" H Shelves	3
4	#40080	Steel 3 Drawer Cabinet	1
5	#40090	Steel 4 Drawer Cabinet	1
6	#40060	3-Prong "J" Hooks	2
7	#40310	Plastic Shelf Bins	5
8	#40030	Shelf Divider (Set of 6)	1
9	#48190	10" L Shelf Lip (Not Shown)	1

(800) 343-7486

P18 VISIT [KARGOMASTER.COM](http://KARGOMASTER.COM) FOR MORE INFORMATION

**KARGO MASTER**  
WE PUT EVERYTHING WITHIN REACH

## CABLE 60" H Shelves

VEHICLE	PACKAGE #	PARTITION #	WING KIT #
FORD TRANSIT <b>SWB MID/HIGH ROOF</b>	44TRM	40651	406TH
FORD TRANSIT <b>LWB MID/HIGH ROOF</b>	44TLM	40651	406TH
RAM PROMASTER <b>SWB LOW/HIGH ROOF</b>	44PMS	40651	4064P
RAM PROMASTER <b>LWB LOW/HIGH ROOF</b>	44PML	40651	4064P

IMPORTANT. BOTH "PARTITION" AND "WING KIT" PARTS ARE REQUIRED.



Part #44TRM Standard Wheel Base is Shown

42" W SHELF PACKAGE		
Part #	Description	Qty
1 #40651	Partition	1
2	Wing Kit (See Table Above)	1
3 #48424	42" W x 14" D x 60" H Shelves	3
4 #40010	42" W Shelf Door Kit	1
5 #40070	Steel 2 Drawer Cabinets	2
6 #40060	3-Prong "J" Hooks	2
7 #40030	Shelf Divider (set of 6)	1

52" W SHELF PACKAGE		
Part #	Description	Qty
1 #40651	Partition	1
2	Wing Kit (See Table Above)	1
3 #48524	52" W x 14" D x 60" H Shelves	3
4 #40040	52" W Shelf Door Kit	1
5 #40070	Steel 2 Drawer Cabinets	2
6 #40060	3-Prong "J" Hooks	2
7 #40030	Shelf Divider (Set of 6)	1
8 #48190	10" L Shelf Lip (Not Shown)	1

## SECURITY 60" H Shelves

VEHICLE	PACKAGE #	PARTITION #	WING KIT #
FORD TRANSIT <b>SWB MID/HIGH ROOF</b>	43TRM	40651	406TH
FORD TRANSIT <b>LWB MID/HIGH ROOF</b>	43TLM	40651	406TH
RAM PROMASTER <b>SWB LOW/HIGH ROOF</b>	43PMS	40651	4064P
RAM PROMASTER <b>LWB LOW/HIGH ROOF</b>	43PML	40651	4064P

IMPORTANT. BOTH "PARTITION" AND "WING KIT" PARTS ARE REQUIRED.



Part #43TRM Standard Wheel Base is Shown

42" W SHELF PACKAGE		
Part #	Description	Qty
1 #40651	Partition	1
2	Wing Kit (See Table Above)	1
3 #48424	42" W x 14" D x 60" H Shelves	3
4 #40010	42" W Shelf Door Kits	2
5 #40070	Steel 2 Drawer Cabinets	2
6 #40060	3-Prong "J" Hooks	2
7 #40270	Hanging File Rack	1
8 #40310	10" W Plastic Shelf Bins	4
9 #40030	Shelf Dividers (Set of 6)	2

52" W SHELF PACKAGE		
Part #	Description	Qty
1 #40651	Partition	1
2	Wing Kit (See Table Above)	1
3 #48524	52" W x 14" D x 60" H Shelves	3
4 #40040	52" W Shelf Door Kits	2
5 #40070	Steel 2 Drawer Cabinets	2
6 #40060	3-Prong "J" Hooks	2
7 #40270	Hanging File Rack	1
8 #40310	10" W Plastic Shelf Bins	5
9 #40030	Shelf Dividers (Set of 6)	2
10 #48190	10" L Shelf Lip (Not Shown)	1



Optional  
Center Panel Lock & Door Lock Kit  
Part #40620

# MID/HIGH ROOF Full-Sized Van Packages

## HVAC 60" H Shelves

VEHICLE	PACKAGE #	PARTITION #	WING KIT #
FORD TRANSIT <b>SWB MID/HIGH ROOF</b>	45TRM	40651	406TH
FORD TRANSIT <b>LWB MID/HIGH ROOF</b>	45TLM	40651	406TH
RAM PROMASTER <b>SWB LOW/HIGH ROOF</b>	45PMS	40651	4064P
RAM PROMASTER <b>LWB LOW/HIGH ROOF</b>	45PML	40651	4064P
NISSAN NV <b>SWB HIGH ROOF</b>	45NVH	40651	406NH
SPRINTER <b>LOW ROOF</b>	45SPL	40651	406SL
SPRINTER <b>HIGH ROOF</b>	45SPH	4061S	Wing Kit Inc.

**IMPORTANT.** BOTH "PARTITION" AND "WING KIT" PARTS ARE REQUIRED.

### 42" W SHELF PACKAGE

	Part #	Description	Qty
1	#40651	Partition	1
2		Wing Kit (See Table Above)	1
3	#48424	42" W x 14" D x 60" H Shelves	3
4	#40010	42" W Shelf Door Kit	1
5	#40070	Steel 2 Drawer Cabinets	2
6	#40200	3-Tier Refrigerant Tank Rack	1
7	#40060	3-Prong "J" Hook	1
8	#40270	Hanging File Rack	1
9	#40310	10" W Plastic Shelf Bins	4
10	#40030	Shelf Divider (Set of 6)	1

### 52" W SHELF PACKAGE

	Part #	Description	Qty
1		Partition (See Table Above)	1
2		Wing Kit (See Table Above)	1
3	#48524	52" W x 14" D x 60" H Shelves	3
4	#40040	52" W Shelf Door Kit	1
5	#40070	Steel 2 Drawer Cabinets	2
6	#40200	3-Tier Refrigerant Tank Rack	1
7	#40060	3-Prong "J" Hook	1
8	#40270	Hanging File Rack	1
9	#40310	10" W Plastic Shelf Bins	5
10	#40030	Shelf Divider (Set of 6)	1
11	#48190	10" L Shelf Lip (Not Shown)	1



Part #45TRM Standard Wheel Base is Shown

## ELECTRICAL CONTRACTOR 60" H Shelves

VEHICLE	PACKAGE #	PARTITION #	WING KIT #
FORD TRANSIT <b>SWB MID/HIGH ROOF</b>	42TRM	40651	406TH
FORD TRANSIT <b>LWB MID/HIGH ROOF</b>	42TLM	40651	406TH
RAM PROMASTER <b>SWB LOW/HIGH ROOF</b>	42PMS	40651	4064P
RAM PROMASTER <b>LWB LOW/HIGH ROOF</b>	42PML	40651	4064P

**IMPORTANT.** BOTH "PARTITION" AND "WING KIT" PARTS ARE REQUIRED.

### 42" W SHELF PACKAGE

	Part #	Description	Qty
1	#40651	Partition	1
2		Wing Kit (See Table Above)	1
3	#48424	42" W x 14" D x 60" H Shelves	3
4	#40010	42" W Shelf Door Kits	2
5	#40090	Steel 4 Drawer Cabinets	2
6	#40060	3-Prong "J" Hook	1
7	#40230	5 Spindle Wire Reel Holder	1
8	#40270	Hanging File Rack	1
9	#40310	10" W Plastic Shelf Bins	8
10	#40030	Shelf Divider (Set of 6)	1

### 52" W SHELF PACKAGE

	Part #	Description	Qty
1	#40651	Partition	1
2		Wing Kit (See Table Above)	1
3	#48524	52" W x 14" D x 60" H Shelves	3
4	#40040	52" W Shelf Door Kits	2
5	#40090	Steel 4 Drawer Cabinets	2
6	#40060	3-Prong "J" Hook	1
7	#40230	5 Spindle Wire Reel Holder	1
8	#40270	Hanging File Rack	1
9	#40310	10" W Plastic Bins	10
10	#40030	Shelf Divider (Set of 6)	1
11	#48190	10" L Shelf Lip (Not Shown)	1



Part #42TRM Standard Wheel Base is Shown

(800) 343-7486

P20 VISIT [KARGOMASTER.COM](http://KARGOMASTER.COM) FOR MORE INFORMATION

**KARGO MASTER**  
WE PUT EVERYTHING WITHIN REACH

## AMERICA'S MOST POPULAR 60" H Shelves

VEHICLE	PACKAGE #	PARTITION #	WING KIT #
FORD TRANSIT <b>LWB MID/HIGH ROOF</b>	47TLM	40651	406TH
RAM PROMASTER <b>SWB LOW/HIGH ROOF</b>	47PMS	40651	4064P
RAM PROMASTER <b>LWB LOW/HIGH ROOF</b>	47PML	40651	4064P

**IMPORTANT.** BOTH "PARTITION" AND "WING KIT" PARTS ARE REQUIRED.



Part #47PMS Standard Wheel Base is Shown

### 42" W SHELF PACKAGE

Part #	Description	Qty
1 #40651	Partition	1
2	Wing Kit (See Table Above)	1
3 #48424	42" W x 14" D x 60" H Shelves	3
4 #40010	42" W Shelf Door Kit	1
5 #40080	Steel 3 Drawer Cabinets	2
6 #40220	Cabinet Locker Full Door	1
7 #40280	Standing Binder Rack	1
8 #40060	3-Prong "J" Hook	1

### 52" W SHELF PACKAGE

Part #	Description	Qty
1 #40651	Partition & Wing Kit	1
2	Wing Kit (See Table Above)	1
3 #48524	52" W x 14" D x 60" H Shelves	3
4 #40040	52" W Shelf Door Kit	1
5 #40080	Steel 3 Drawer Cabinets	2
6 #40220	Cabinet Locker Full Door	1
7 #40280	Standing Binder Rack	1
8 #40060	3-Prong "J" Hook	1
9 #48190	10" L Shelf Lip (Not Shown)	1

## EZ ALL TRADES 60" H Shelves

VEHICLE	PACKAGE #	PARTITION #	WING KIT #
FORD TRANSIT <b>SWB MID/HIGH ROOF</b>	46TRM	40651	406TH
FORD TRANSIT <b>LWB MID/HIGH ROOF</b>	46TLM	40651	406TH
RAM PROMASTER <b>SWB LOW/HIGH ROOF</b>	46PMS	40651	4064P
RAM PROMASTER <b>LWB LOW/HIGH ROOF</b>	46PML	40651	4064P
NISSAN NV <b>SWB HIGH ROOF</b>	46NVH	40651	406NH
SPRINTER <b>LOW ROOF</b>	46SPL	40651	406SL
SPRINTER <b>HIGH ROOF</b>	46SPH	4061S	Wing Kit Inc.

**IMPORTANT.** BOTH "PARTITION" AND "WING KIT" PARTS ARE REQUIRED.



Part #46TRM Standard Wheel Base is Shown

### SHELF PACKAGES

Part #	Description	Qty
1 #40651	Partition	1
2	Wing Kit (See Table Above)	1
3 #48424	42" W x 14" D x 60" H Shelves	2
4 #48324	32" W x 14" D x 60" H Shelf	1
5 #40250	Steel Long 3 Drawer	1
6 #40310	10" W Plastic Shelf Bins	4

### SHELVING VARIATION FOR 46PMS

3 #48424	42" W x 14" D x 60" H Shelves	3
----------	-------------------------------	---

### 52" W SHELF PACKAGE

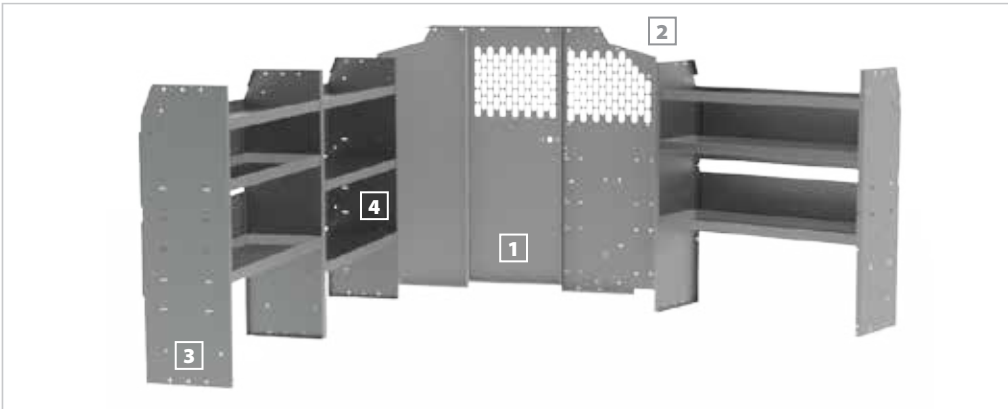
Part #	Description	Qty
1	Partition (See Table Above)	1
2	Wing Kit (See Table Above)	1
3 #48524	52" W x 14" D x 60" H Shelves	3
4 #40250	Steel Long 3 Drawer	1
5 #40310	10" W Plastic Shelf Bins	4

# MERCEDES METRIS Van Packages

## BASE 46" H Shelves

VEHICLE	PACKAGE #	PARTITION #	WING KIT #
MERCEDES METRIS	4001M	40640	4064M

**IMPORTANT.** BOTH "PARTITION" AND "WING KIT" PARTS ARE REQUIRED.

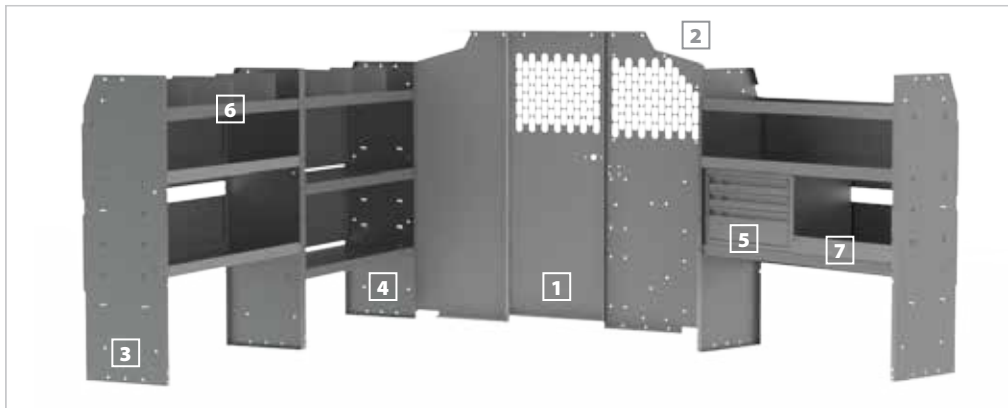


	Part #	Description	Qty
1	#40640	Partition	1
2	#4064M	Wing Kit	1
3	#48420	42" W x 14" D x 46" H Shelves	2
4	#48320	32" W x 14" D x 46" H Shelf	1

## COMMERCIAL BIN 46" H Shelves

VEHICLE	PACKAGE #	PARTITION #	WING KIT #
MERCEDES METRIS	4003M	40640	4064M

**IMPORTANT.** BOTH "PARTITION" AND "WING KIT" PARTS ARE REQUIRED.

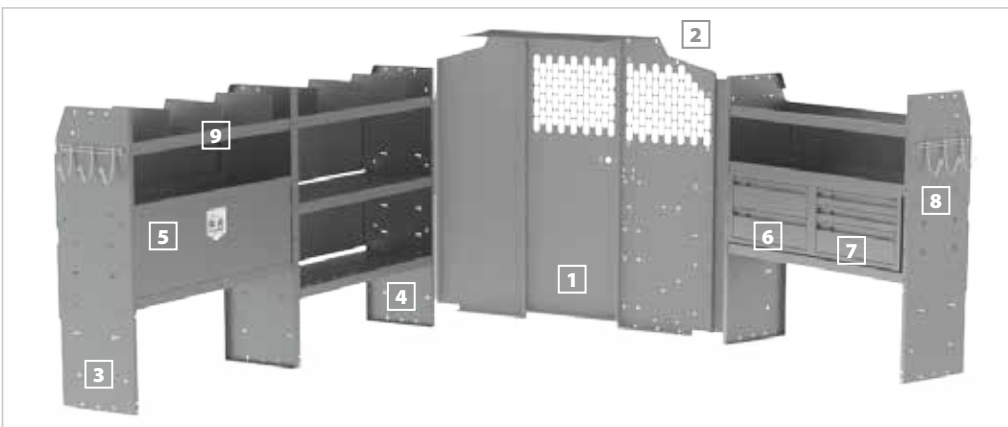


	Part #	Description	Qty
1	#40640	Partition	1
2	#4064M	Wing Kit	1
3	#48420	42" W x 14" D x 46" H Shelves	2
4	#48320	32" W x 14" D x 46" H Shelf	1
5	#40080	Steel 3 Drawer Cabinet	1
6	#40030	Shelf Divider (Set of 6)	1
7	#48180	20" W Shelf Lip	1

## GENERAL SERVICE 46" H Shelves

VEHICLE	PACKAGE #	PARTITION #	WING KIT #
MERCEDES METRIS	4004M	40640	4064M

**IMPORTANT.** BOTH "PARTITION" AND "WING KIT" PARTS ARE REQUIRED.



#	Part #	Description	Qty
1	#40640	Partition	1
2	#4064M	Wing Kit	1
3	#48420	42" W x 14" D x 46" H Shelves	2
4	#48320	32" W x 14" D x 46" H Shelf	1
5	#40010	42" W Shelf Door Kit	1
6	#40070	Steel 2 Drawer Cabinet	1
7	#40080	Steel 3 Drawer Cabinet	1
8	#40060	3-Prong "J" Hooks	2
9	#40030	Shelf Divider (Set of 6)	1

(800) 343-7486

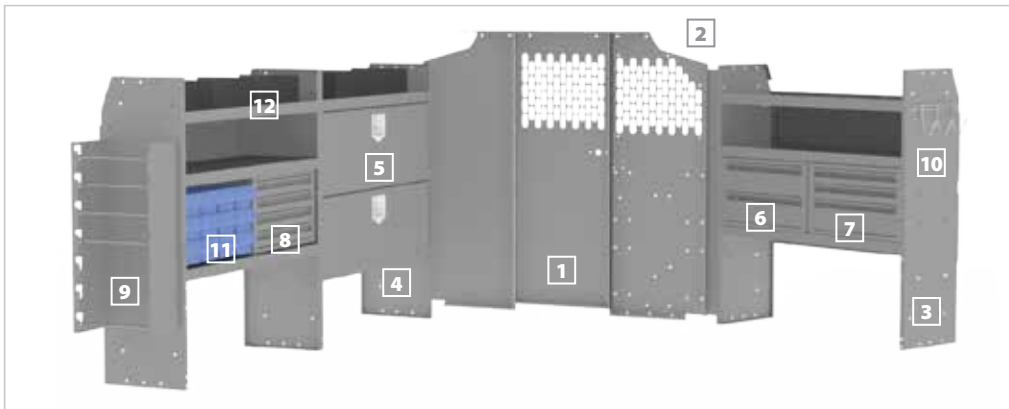
P22 VISIT [KARGOMASTER.COM](http://KARGOMASTER.COM) FOR MORE INFORMATION

**KARGO MASTER**  
WE PUT EVERYTHING WITHIN REACH



## ELECTRIC & GAS APPLIANCE REPAIR 46" H Shelves

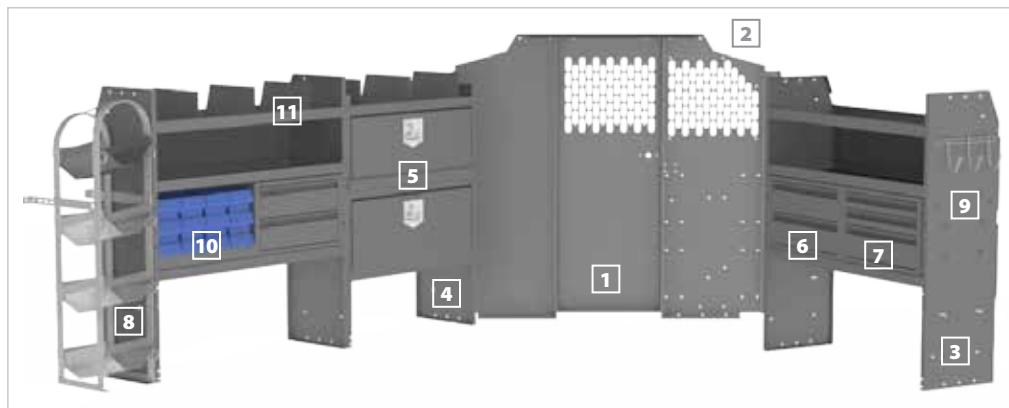
VEHICLE	PACKAGE #	PARTITION #	WING KIT #
MERCEDES METRIS	4005M	40640	4064M



Part #	Description	Qty
1 #40640	Partition	1
2 #4064M	Wing Kit	1
3 #48420	42" W x 14" D x 46" H Shelves	2
4 #48320	32" W x 14" D x 46" H Shelf	1
5 #40020	32" W Shelf Door Kits	2
6 #40070	Steel 2 Drawer Cabinet	1
7 #40080	Steel 3 Drawer Cabinet	1
8 #40090	Steel 4 Drawer Cabinet	1
9 #40230	5 Spindles Wire Reel Holder	1
10 #40060	3-Prong "J" Hook	1
11 #48240	Plastic Bin Parts Module	1
12 #40030	Shelf Divider (Set of 6)	1

## HEATING & A/C REPAIR 46" H Shelves

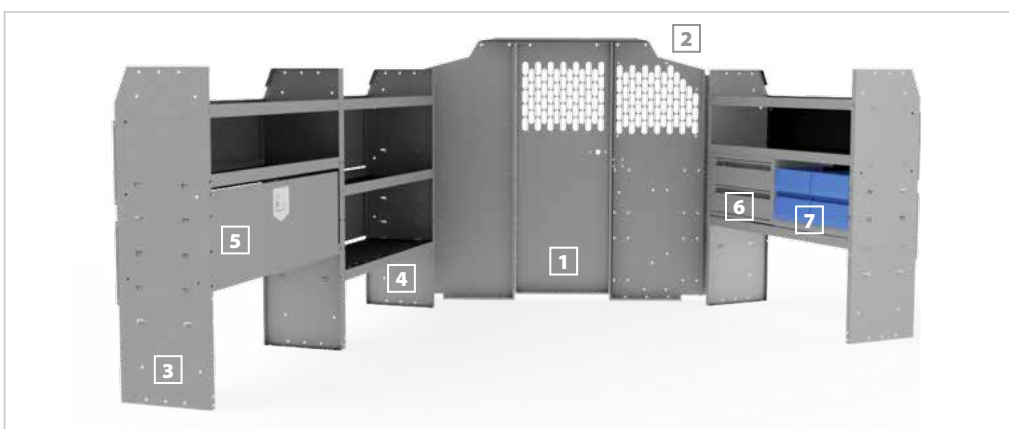
VEHICLE	PACKAGE #	PARTITION	WING KIT #
MERCEDES METRIS	4006M	40640	4064M



Part #	Description	Q
1 #40640	Partition	1
2 #4064M	Wing Kit	1
3 #48420	42" W x 14" D x 46" H Shelves	2
4 #48320	32" W x 14" D x 46" H Shelf	1
5 #40020	32" W Shelf Door Kits	2
6 #40070	Steel 2 Drawer Cabinets	2
7 #40080	Steel 3 Drawer Cabinet	1
8 #40100	4-Tier Refrigerant Tank Rack	1
9 #40060	3-Prong "J" Hook	1
10 #48240	Plastic Bin Parts Module	1
11 #40030	Shelf Divider (Set of 6)	1

## TRADESMAN SERVICE 46" H Shelves

VEHICLE	PACKAGE #	PARTITION #	WING KIT #
MERCEDES METRIS	4010M	40640	4064M



Part #	Description	Qty
1 #40640	Partition	1
2 #4064M	Wing Kit (See Table Above)	1
3 #48420	42" W x 14" D x 46" H Shelves	2
4 #48320	32" W x 14" D x 46" H Shelf	1
5 #40010	42" W Shelf Door Kit	1
6 #40070	Steel 2 Drawer Cabinet	1
7 #48200	Plastic Shelf Bin Module	1

## COMMERCIAL SHELVING 43" H Shelves

VEHICLE	PACKAGE #	PARTITION #
FORD TRANSIT CONNECT <b>SWB</b>	40TCS	40670
FORD TRANSIT CONNECT	40TCL	40670
CHEVY CITY EXPRESS	400CE	40670
NISSAN NV200	400CE	40670
RAM PROMASTER CITY	40TCL	40670



26" W SHELF PACKAGE			
	Part #	Description	Qty
1	#40670	Partition	1
2	#4826L	26" W x 14" D x 43" H Shelves	2

32" W SHELF PACKAGE			
	Part #	Description	Qty
1	#40670	Partition	1
2	#4832L	32" W x 14" D x 43" H Shelves	2

## COMMERCIAL SHELVING Wire Partition 43" H Shelves

VEHICLE	PACKAGE #	PARTITION #
FORD TRANSIT CONNECT <b>SWB</b>	47TCS	40680
FORD TRANSIT CONNECT	47TCL	40680
CHEVY CITY EXPRESS	407CE	40680
NISSAN NV200	407CE	40680
RAM PROMASTER CITY	47TCL	40680



26" W SHELF PACKAGE			
	Part #	Description	Qty
1	#40680	Partition	1
2	#4826L	26" W x 14" D x 43" H Shelves	2

32" W SHELF PACKAGE			
	Part #	Description	Qty
1	#40680	Partition	1
2	#4832L	32" W x 14" D x 43" H Shelves	2

## DELUXE COMMERCIAL SHELVING 43" H Shelves

VEHICLE	PACKAGE #	PARTITION #
FORD TRANSIT CONNECT	41TCL	40670
CHEVY CITY EXPRESS	401CE	40670
NISSAN NV200	401CE	40670
RAM PROMASTER CITY	41TCL	40670



41TCL PACKAGE			
	Part #	Description	Qty
1	#40670	Partition	1
2	#4832L	32" W x 14" D x 43" H Shelves	3
3	#40060	3-Prong "J" Hook	1
4	#40030	Shelf Divider (Set of 6)	1

401CE PACKAGE			
	Part #	Description	Qty
1	#40670	Partition	1
2	#4832L	32" W x 14" D x 43" H Shelves	2
3	#4826L	26" W x 14" D x 43" H Shelves	1
4	#40060	3-Prong "J" Hook	1
5	#40030	Shelf Divider (Set of 6)	1

## HVAC PACKAGES 43" H & 46" H Shelves

VEHICLE	PACKAGE #	PARTITION #
FORD TRANSIT CONNECT	45TCL	40670
CHEVY CITY EXPRESS	405CE	40670
NISSAN NV200	405CE	40670
RAM PROMASTER CITY	45TCL	40670



45TCL PACKAGE			
	Part #	Description	Qty
1	#40670	Partition	1
2	#4832L	32" W x 14" D x 43" H Shelves	3
3	#40080	Steel 3 Drawer Cabinets	2
4	#40200	3-Tier Refrigerant Tank Rack	1
5	#40060	3-Prong "J" Hook	1
6	#40310	10" W Plastic Shelf Bins	3
7	#48250	Plastic Shelf Bin Modules	2

405CE PACKAGE			
	Part #	Description	Qty
1	#40670	Partition	1
2	#4832L	32" W x 14" D x 43" H Shelves	1
	#48420	42" W x 14" D x 46" H Shelf	1
3	#40080	Steel 3 Drawer Cabinets	2
4	#40200	3-Tier Refrigerant Tank Rack	1
5	#40060	3-Prong "J" Hook	1
6	#40310	10" W Plastic Shelf Bins	3
7	#48250	Plastic Shelf Bin Modules	2

# COMPACT CARGO Van Packages

## GENERAL SERVICE 43" & 46" H Shelves

VEHICLE	PACKAGE #	PARTITION #
FORD TRANSIT CONNECT <b>SHORT WHEEL BASE</b>	<b>41TCS</b>	<b>40670</b>
FORD TRANSIT CONNECT	42TCL	40670
CHEVY CITY EXPRESS	402CE	40670
NISSAN NV200	402CE	40670
RAM PROMASTER CITY	42TCL	40670

### 41TCS PACKAGE

	Part #	Description	Qty
1	#40670	Partition	1
2	#48420	42" W x 14" D x 46" H Shelf	1
3	#4826L	26" W x 14" D x 43" H Shelf	1
4	#40010	42" W Shelf Door Kit	1
5	#40080	Steel 3 Drawer Cabinet	1
6	#40060	3-Prong "J" Hook	1
7	#48240	Plastic Shelf Bin Module	1

### 42TCL & 402CE PACKAGES

	Part #	Description	Qty
1	#40670	Partition	1

### 402CE SHELVING

2	#4832L	32" W x 14" D x 43" H Shelves	2
2	#4826L	26" W x 14" D x 43" H Shelf (Not Shown)	1

### 42TCL SHELVING

2	#4832L	32" W x 14" D x 43" H Shelves	4
3	#40020	32" W Shelf Door Kit	1
4	#40080	Steel 3 Drawer Cabinet	2
5	#40060	3-Prong "J" Hook	1
6	#40310	10" W Plastic Shelf Bins	6
7	#48250	Plastic Shelf Bin Modules	2



Part #42TCL Standard Wheel Base is Shown

## ELECTRICAL CONTRACTOR 43" H Shelves

VEHICLE	PACKAGE #	PARTITION #
FORD TRANSIT CONNECT	44TCL	40670
CHEVY CITY EXPRESS	404CE	40670
NISSAN NV200	404CE	40670
RAM PROMASTER CITY	44TCL	40670

### 404CE PACKAGE

	Part #	Description	Qty
1	#40670	Partition	1
2	#4832L	32" W x 14" D x 43" H Shelves	2
	#4826L	26" W x 14" D x 43" H Shelf	1
4	#40020	32" W Shelf Door Kit	1
5	#40080	Steel 3 Drawer Cabinet	1
6	#40060	3-Prong "J" Hook	1
7	#40310	10" W Plastic Shelf Bins	6
8	#48250	Plastic Shelf Bin Module	1

### 44TCL PACKAGE

	Part #	Description	Qty
1	#40670	Partition	1
2	#4832L	32" W x 14" D x 43" H Shelves	3
3	#40020	32" W Shelf Door Kit	1
4	#40080	Steel 3 Drawer Cabinet	1
5	#40060	3-Prong "J" Hook	1
6	#40310	10" W Plastic Shelf Bins	6
7	#48250	Plastic Shelf Bin Module	1



Part #44TCL Standard Wheel Base is Shown

(800) 343-7486

P26 VISIT [KARGOMASTER.COM](http://KARGOMASTER.COM) FOR MORE INFORMATION

**KARGO MASTER**  
WE PUT EVERYTHING WITHIN REACH

## PLUMBING 43" H Shelves

VEHICLE	PACKAGE #	PARTITION #
FORD TRANSIT CONNECT	43TCL	40670
CHEVY CITY EXPRESS	403CE	40670
NISSAN NV200	403CE	40670
RAM PROMASTER CITY	43TCL	40670



Part #403CE Standard Wheel Base is Shown

### 43TCL PACKAGE

	Part #	Description	Qty
1	#40670	Partition	1
2	#4832L	32" W x 14" D x 43" H Shelves	3
3	#40020	32" W Shelf Door Kit	1
4	#40080	Steel 3 Drawer Cabinets	3
5	#40060	3-Prong "J" Hook	1
6	#40310	10" W Plastic Shelf Bins	3
7	#48250	Plastic Shelf Bin Modules	3

### 403CE PACKAGE

	Part #	Description	Qty
1	#40670	Partition	1
2	#4832L	32" W x 14" D x 43" H Shelves	2
	#4826L	26" W x 14" D x 43" H Shelf	1
3	#40020	32" W Shelf Door Kit	1
4	#40080	Steel 3 Drawer Cabinets	3
5	#40060	3-Prong "J" Hook	1
6	#40310	10" W Plastic Shelf Bins	3
7	#48250	Plastic Shelf Bin Modules	3

## TELECOM 43" H Shelves

VEHICLE	PACKAGE #	PARTITION #
FORD TRANSIT CONNECT	46TCL	40670
CHEVY EXPRESS	406CE	40670
NISSAN NV200	406CE	40670
RAM PROMASTER CITY	46TCL	40670



Part #46TCL Long Wheel Base is Shown

### 46TCL PACKAGE

	Part #	Description	Qty
1	#40670	Partition	1
2	#4832L	32" W x 14" D x 43" H Shelves	3
3	#40020	32" W Shelf Door Kits	2
4	#40080	Steel 3 Drawer Cabinets	2
5	#40060	3-Prong "J" Hook	1
6	#48250	Plastic Shelf Bin Module	1

### 406CE PACKAGE

	Part #	Description	Qty
1	#40670	Partition	1
2	#4832L	32" W x 14" D x 43" H Shelves	2
	#4826L	26" W x 14" D x 43" H Shelves	1
3	#40020	32" W Shelf Door Kits	2
4	#40080	Steel 3 Drawer Cabinets	2
5	#40060	3-Prong "J" Hook	1
6	#48250	Plastic Shelf Bin Modules	2

# ALUMINUM COMPACT CARGO Van Packages



**INDIVIDUAL COMPONENTS**  
 EZ ADJUSTABLE SHELVES p. 4-5  
 PARTITION p. 2  
 SHELF DOOR KIT p. 6

**REDUCE WEIGHT & COST OF OPERATION AND INCREASE PAYLOAD WITH KARGO MASTER FEATHER-LITE ALUMINUM INTERIORS FOR COMPACT VANS.**

## COMMERCIAL SHELVING 43" H Shelves

VEHICLE	PACKAGE #	PARTITION #
ALL COMPACT VANS	400AL	4067A



**FORD TRANSIT CONNECT /  
 RAM PROMASTER CITY /  
 CHEVY CITY EXPRESS / NV200**

Part #	Description	Qty
1 #4067A	Partition	1
2 #4862A	62" W x 12" D x 43" H Shelf with 11 Shelf Dividers	1

(800) 343-7486

P28 VISIT [KARGOMASTER.COM](http://KARGOMASTER.COM) FOR MORE INFORMATION

**KARGO MASTER**  
 WE PUT EVERYTHING WITHIN REACH

## DELUXE SHELVING 43" H Shelves

VEHICLE	PACKAGE #	PARTITION #
ALL COMPACT VANS	401AL	4067A



**FORD TRANSIT CONNECT /  
RAM PROMASTER CITY /  
CHEVY CITY EXPRESS / NV200**

Part #	Description	Qty
1 #4067A	Partition	1
2 #4862A	62" W x 12" D x 43" H Shelf with 11 Shelf Dividers	1
3 #4832A	32" W x 12" D x 43" H Shelf with 5 Shelf Dividers	1
4 #40310	10" W Plastic Shelf Bins	3

## HVAC 43" H Shelves

VEHICLE	PACKAGE #	PARTITION #
ALL COMPACT VANS	402AL	4067A



**FORD TRANSIT CONNECT /  
RAM PROMASTER CITY /  
CHEVY CITY EXPRESS / NV200**

Part #	Description	Qty
1 #4067A	Partition	1
2 #4862A	62" W x 12" D x 43" H Shelf with 11 Shelf Dividers	1
3 #4832A	32" W x 12" D x 43" H Shelf with 5 Shelf Dividers	1
4 #40200	3-Tier Refrigerant Tank Rack (Steel)	1
5 #40310	10" W Plastic Shelf Bins	11
6 #40330	5" Plastic Shelf Bins	12

## TELECOM 43" H Shelves

VEHICLE	PACKAGE #	PARTITION #
ALL COMPACT VANS	403AL	4067A



**FORD TRANSIT CONNECT /  
RAM PROMASTER CITY /  
CHEVY CITY EXPRESS / NV200**

Part #	Description	Qty
1 #4067A	Partition	1
2 #4862A	62" W x 12" D x 43" H Shelf with 11 Shelf Dividers	1
3 #4832A	32" W x 12" D x 43" H Shelf with 5 Shelf Dividers	1
4 #4002A	32" W Shelf Door Kits	2
5 #40310	10" W Plastic Shelf Bins	8
6 #40330	5" Plastic Shelf Bins	12

## Kargo Master **VAN RACKS** last a lifetime.

**EZ DROP DOWN LADDER RACKS** P 32



**CLAMP & LOCK LADDER RACKS** P 33



**CROSSBAR CARGO & LADDER RACKS** P 34



**UTILITY ECONO VAN CARGO RACKS** P 35



**PRO II VAN CARGO RACK** P 36



VIEW THE **KARGO MASTER RACK APPLICATION GUIDE** ON PAGE 30 AND **CARGO & LADDER RACK ACCESSORIES** ON PAGE 34

For nearly 40 years ... almost a half a century ... **Kargo Master** has been known for producing superior quality ladder and cargo racks for commercial trucks.

Today, as vehicle manufacturers are building a new and expanded line of cargo vans to meet a growing demand in service industries, **Kargo Master** developers have relied upon and turned to its experience and success to manufacture some of the most innovative and affordable racks available.

**Kargo Master** offers van racks for 15 vehicles from the leading automotive companies available in 28 configurations. Whether you have, or are considering purchasing, one of the sporty and efficient new compact cargo vans, or a high roof van that carries everything including the kitchen sink, we have a rack to meet your needs.

Before you even consider another rack brand, we encourage you to look at our racks and compare the features, and costs, for yourself.

**Kargo Master** is all about ease of use, reliability, and efficiency, from the installation to your daily tasks.

(800) 343-7486

P30 VISIT [KARGOMASTER.COM](http://KARGOMASTER.COM) FOR MORE INFORMATION

**KARGO MASTER**  
WE PUT EVERYTHING WITHIN REACH



# VAN CARGO & LADDER RACKS Application Guide

VAN ROOF TYPE	EZ DROP DOWN LADDER RACKS		CLAMP & LOCK LADDER RACKS		CROSSBAR CARGO & LADDER RACKS				
	PASSENGER SIDE LADDER RACK Part No.	DRIVER SIDE MECHANISM ONLY Part No.	PASSENGER SIDE LADDER RACK Part No.	DRIVER SIDE MECHANISM ONLY Part No.	COMPACT VAN 4 CROSSBAR Part No.	FULL-SIZED VAN 2 CROSSBAR Part No.	FULL-SIZED VAN 5 CROSSBAR Part No.	FULL-SIZED VAN HD 5 CROSSBAR REAR ROLLER Part No.	
<b>COMPACT VAN</b>									
Ford Transit Connect Nissan NV200 Chevy City Express Ram ProMaster City	40933	40943	40873		80070	40819 or 40821 or 40821 +40822			
<b>LOW ROOF</b>									
GM/Chevy Express Ford E-Series	40953		40804	40813		40825 or 40823 or 40823 +40824		40870 +40880	
<b>LOW ROOF</b>									
Mercedes Metris	40923 + 4090M	40963	40903 + 4090M			40819 or 40821 or 40821 +40822	80080		
Ford Transit Nissan NV	40923		40903				(For Sprinter Add 4090M Mount Kit)		
<b>MID ROOF</b>									
Ford Transit	4099T or 40993 Easier Reach	40913 Easier Reach	Pair 40813 Driver Side Clamp & Lock Mechanism with an EZ Drop Down Passenger Side Ladder Rack to Make a Combina- tion Rack. Compact And Low Roof Vans Only.					80080	
Ford Transit	4097T or 40973								(For Sprinter Add 4090M Mount Kit)
Sprinter Standard Roof Ram ProMaster Std. Roof	40973 or 4097T +40818	40983							
<b>HIGH ROOF</b>									
Ford Transit Nissan NV	4099T or 40993								
Sprinter Ram ProMaster	40993 or 4099T +40818	40913							



**RETRACTABLE  
RATCHET STRAPS  
#40830**  
(You really should  
have these.)

# EZ DROP DOWN Ladder Racks



**LEFT IMAGE:** LADDER RACK ON A MID-ROOF VAN IS IN THE DOWN POSITION. NOTE IT IS EASY TO REACH THE DETACHABLE HANDLE WHICH CAN BE STORED INSIDE THE VAN.

**BOTTOM IMAGE:** ON LOWER ROOF VANS, WHEN THE LADDER IS UP THE HANDLE IS EASILY REACHABLE AND NEATLY TUCKS AWAY WHEN IN THE LOCKED POSITION.



**COMBO RACKS WITH BOTH EZ DROP DOWN AND CLAMP & LOCK UNITS ARE AVAILABLE FOR LOW ROOF AND COMPACT CARGO VANS.**

Choose from several ladder rack combinations depending on the height of your van. **EZ Drop Down Ladder Racks** are a drop down rack which work on all roof heights and make it super easy to mount, raise (or lower) and secure your ladders.

- Rugged crossbows are low over van roof to reduce overall vehicle height and to facilitate loading and unloading.
- Easy to reach lockable clamp arm firmly secures ladder to rack on low roof racks.
- Easy to reach removeable handle firmly secures ladder to rack on higher roof racks.
- Curb side mechanism included. Purchase driver side drop down or clamp & lock mechanism (sold separately ... see application guide).
- Ladder grips are adjustable to secure extension and step ladders 8' or larger (#40816 required for 8' ladders on #40993).
- Ladder racks are available for all current cargo vans. No drilling or cutting is required.
- Zinc epoxy primed for superior rust resistance. Chip resistant white powder coat.
- Quick and easy to assemble and install with mounting kit included with rack.
- 40993 provides a deeper drop and extended ladder beds for easier reach.

VAN & LADDER TYPES	PART #	NOTES
<b>COMPACT CARGO VANS</b> (Ford Transit Connect, Chevy City Express, Nissan NV200, Ram ProMaster City)		See application guide page 31.
<b>Double</b> EZ Drop Down Ladder Rack	40933 + 40943	
<b>Single</b> EZ Drop Down Ladder Rack (Passenger Side)	40933	
<b>Combo</b> Single EZ Drop-Down + Clamp & Lock Ladder Rack	40933 + 40813	See page 33.
<b>A   LOW ROOF FULL-SIZED VANS</b> (GMC/Chevy Express and Ford E-Series)		See application guide page 31.
<b>Double</b> EZ Drop Down Ladder Rack (Rain Gutter Mount)	40953 + 40963	
<b>Single</b> EZ Drop Down Ladder Rack (Rain Gutter Mount)	40953	
<b>Combo</b> Single EZ Drop Down + Clamp & Lock Ladder Rack (RGM)	40953 + 40813	See page 33.
<b>B   LOW ROOF FULL-SIZED VANS</b> (Ford Transit, Nissan NV and Metris) - <i>Metris Requires Mount Kit 4090M</i>		See application guide page 31.
<b>Double</b> EZ Drop Down Ladder Rack	40923 + 40963	
<b>Single</b> EZ Drop Down Ladder Rack (Passenger Side)	40923	
<b>Combo</b> Single EZ Drop Down + Clamp & Lock Ladder Rack	40923 + 40813	See page 33.
<b>MID ROOF FULL-SIZED VANS</b> (Ford Transit, Sprinter and Ram ProMaster)		See application guide page 31.
<b>Double</b> EZ Drop Down Ladder Rack - Less Expensive than 40993 - <i>Must Have Mount Kit 40818 for Sprinter and Ram ProMaster</i>	4097T + 40983	
<b>Single</b> EZ Drop Down Ladder Rack (Passenger Side) - Less Expensive than 40993 - <i>Must Have Mount Kit 40818 for Sprinter and Ram ProMaster</i>	4097T	
<b>Double</b> EZ Drop Down Ladder Rack	4099T + 40913	<b>NEW</b>
<b>Single</b> EZ Drop Down Ladder Rack (Passenger Side)	4099T	<b>NEW</b>
<b>Double</b> EZ Drop Down Ladder Rack - <i>Sprinter and Ram ProMaster</i>	40973 + 40983	
<b>Single</b> EZ Drop Down Ladder Rack (Passenger Side) - <i>Sprinter and Ram ProMaster</i>	40973	
<b>HIGH ROOF FULL-SIZED VANS</b> (Ford Transit, Nissan NV, Sprinter and Ram ProMaster)		See application guide page 31.
<b>Double</b> EZ Drop Down Ladder Rack - <i>Must Have Mount Kit 40818 for Sprinter and Ram ProMaster</i>	4099T + 40913	<b>NEW</b>
<b>Single</b> EZ Drop Down Ladder Rack (Passenger Side) - <i>Must Have Mount Kit 40818 for Sprinter and Ram ProMaster</i>	4099T	<b>NEW</b>
<b>Double</b> EZ Drop Down Ladder Rack	40993 + 40913	
<b>Single</b> EZ Drop Down Ladder Rack (Passenger Side)	40993	

(800) 343-7486

P32 VISIT [KARGOMASTER.COM](http://KARGOMASTER.COM) FOR MORE INFORMATION

**KARGO MASTER**  
WE PUT EVERYTHING WITHIN REACH



The **Kargo Master Clamp & Lock Ladder Rack** for commercial vans is uniquely designed to easily lock and secure ladders in place. The lockable clamp arm can be easily reached and locked to provide extra security. Ladder grips are adjustable to secure extension and step ladders of all 8' or longer sizes. 6' step ladder requires #40816. The ladder rack with rugged crossbow design is low over the van roof to reduce overall vehicle height and to facilitate loading and unloading. The Clamp & Lock Ladder Rack is installed on cargo vans with wide mounting feet which clamp securely to factory mounting holes to provide maximum support and stability, and they allow for easy, no-drill installation.



**COMBO RACKS WITH BOTH EZ LO-DOWN AND CLAMP & LOCK UNITS ARE AVAILABLE FOR LOW ROOF AND COMPACT VANS.**

- Rugged crossbows hover just inches above the roof to reduce overall vehicle height and to facilitate loading and unloading.
- Easy to reach lockable clamp arm firmly secures ladder to rack.
- Wide mount feet clamp securely to the van roof in factory mounting hole. Feet are coated at bottom.
- Ladder hooks are adjustable to secure extension and step ladders of all sizes 8' or longer.
- Three sizes are offered to fit mini cargo vans and low roof full-sized vans.
- Zinc epoxy primed for superior rust resistance.
- Chip-resistant white powder coat.
- Quick and easy to assemble and install. No drilling or cutting required.
- Driver side load retainers included.

VAN & LADDER TYPES	PART #
<b>COMPACT CARGO VANS</b> (Ford Transit Connect, Chevy City Express, Nissan NV200, Ram ProMaster City)	
<b>Double</b> Clamp & Lock Ladder Rack	40873 + 40813
<b>Single</b> Clamp & Lock Ladder Rack	40873
<b>Combo</b> Single EZ Drop Down + Clamp & Lock Ladder Rack	40933 + 40813
<b>A   LOW ROOF FULL-SIZED VANS</b> (Chevy Express and Ford E-Series) Rain Gutter Mount	
<b>Double</b> Clamp & Lock Ladder Rack	40804 + 40813
<b>Single</b> Clamp & Lock Ladder Rack	40804
<b>Combo</b> Single EZ Drop Down + Clamp & Lock Ladder Rack	40953 + 40813
<b>B   LOW ROOF FULL-SIZED VANS</b> (Ford Transit, Nissan NV and Metris) - <i>Metris Requires Mount Brackets 4090M</i>	
<b>Double</b> Clamp & Lock Ladder Rack	40903 + 40813
<b>Single</b> Clamp & Lock Ladder Rack	40903
<b>Combo</b> Single EZ Drop Down + Clamp & Lock Ladder Rack	40923 + 40813

# CROSSBAR Cargo & Ladder Van Racks

## #80070 FOR COMPACT CARGO VANS



## #80080 FOR FULL-SIZED VANS



VAN & LADDER TYPES	PART #
<b>COMPACT CARGO VANS</b> (Ford Transit Connect, Chevy City Express, Nissan NV200, Ram ProMaster City)	
4 Crossbar Cargo & Ladder Van Rack - Includes Wind Deflector	80070

VAN & LADDER TYPES	PART #
<b>B   FULL-SIZED VANS</b> (Ford Transit, Nissan NV and Ram ProMaster. Also fits the Mercedes Metris and Sprinter - Requires mount kit 4090M)	
5 Crossbar Cargo & Ladder Van Rack - Includes Wind Deflector	80080

If you have a short van, but you may need to carry long ladders, or long materials, this top mount rack is the solution that is made just for you.

- Rugged 1-5/8" dia. x .083 high tensil strength tubing.
- 500 lb. cargo capacity.
- Zinc epoxy undercoat.
- High gloss metallic silver marine grade powder coat finish.
- Swagged tube joints.
- Yellow zinc plated hardware.
- Easy to install ... no drilling required.
- Nylon self-locking nuts.
- 1,000 hour ASTM salt spray resistance.
- Convenient rear loading.

Mid Roof Transit, Ram ProMaster and Sprinter are too high for traditional side loading Clamp & Lock or Crossbar Ladder Racks. The five bar #80080 loads from the rear. Simply lean your ladder on the protective rear crossbar that overhangs the roof. Lift the bottom of the ladder, push forward, and when you run out of arm, let er' go. The ladder front will set down on the fifth crossbar, which you will have located in the perfect spot to protect the roof of your van. Position and secure your ladder while standing on the van floor. We recommend attaching a grab strap to the bottom rung of your ladder to facilitate unloading. Durable, economical, and easy to use. Rack features 1-5/8" dia. steel tubing with metallic silver powder coat finish. 122" L x 57" W.

## CARGO & LADDER RACK ACCESSORIES

### Clamp & Lock 6' Step Ladder Bracket (Add to Carry Shorter Ladders)



40815 Add to 40803, 40804, 40903, 40873, 40813

### Drop-Down 6' and 8' Step Ladder Bracket (Add for Shorter Ladders)



40816 Add to All 409xx Series Racks

### Emergency Light Mount for 409xx



40893 For All 409xx Racks

### Front Bar Wind Deflector



31570 Add to 40870, 40880 (Black)  
31572 Add to 80070, 80080 (Silver)

### Retractable Ratchet Straps



31490 See Complete Details on Inside Back Cover  
31500

### EZ Lo-Down Extender (24") to Carry Long Heavy-Duty Extension Ladders



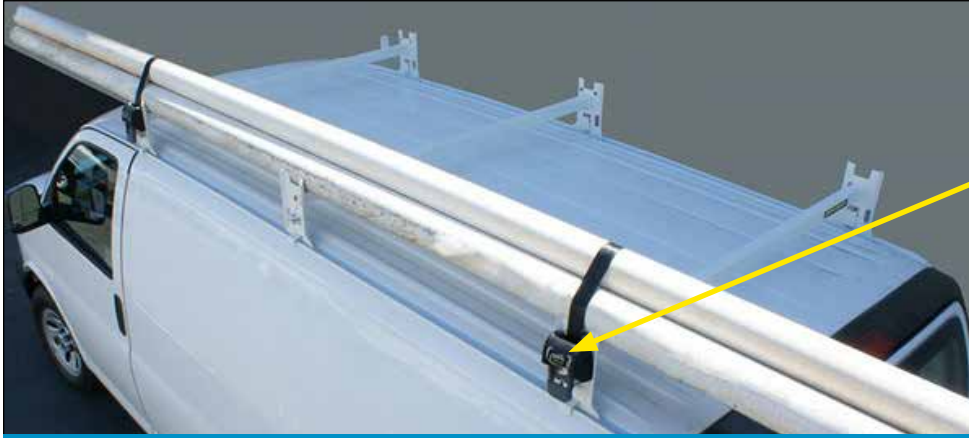
40817 2 Bars + Mount Kit

(800) 343-7486

P34 VISIT [KARGOMASTER.COM](http://KARGOMASTER.COM) FOR MORE INFORMATION

**KARGO MASTER**  
WE PUT EVERYTHING WITHIN REACH

# CROSSBAR Cargo & Ladder Van Racks



**THE KARGO MASTER UTILITY ECONO VAN CARGO RACK IS AVAILABLE WITH 2 OR 3 CROSSBARS** (See inside back cover for Retractable Ratchet Straps detail – #40850 – Shown on image to left – included With #40825)

## A | F/S 2 (or 3) CROSSBAR UTILITY ECONO VAN RACK

The **Kargo Master** all-purpose **Utility Econo Van Rack** is designed to be stronger than other ordinary van racks in the market. The Utility Van Rack is constructed using heavy duty 1.75" square tubes, and it is available in 2 or 3 steel cross bars. Strong wide mounting feet clamps secure the rack to rain gutter to provide maximum support, stability and offer easy, no-drill installation for your van. Feet clamps are coated to protect rain gutter paint. Ladder stops are included in the van rack package and they provide great convenience when securing your loads. All **Kargo Master** Van Racks are coated with zinc primer and thick marine grade powder coat to provide excellent corrosion resistance.

- Available with 2 or 3 heavy-duty 1.75" square steel crossbars. Wide mount feet clamp securely to rain gutter. Feet coated at bottom to protect rain gutter paint.
- Each model fits full-sized Ford E-Series, GM, older pre-Sprinter Dodge, and all full-sized vans with rain gutters.
- No drilling or cutting required.
- Zinc epoxy primed for superior rust resistance. Chip resistant WHITE ONLY powder coat.
- Ladder stop included.
- Low profile uprights enable access to low clearance parking facilities.

40823	2 Crossbar Rack - Rain Gutter Mount
40824	Add a 3rd Middle Crossbar to #40823 - Rain Gutter Mount
40825	2 Crossbar Rack Kit - Rain Gutter Mount - with 2 Retractable Ratchet Straps (#40850)
40850	Retractable Ratchet Straps (Pair) - 2" x 7' - Mounts to Crossbar End Plate - Fits #40823 & #40824

## CROSSBAR LADDER RACKS FOR CARGO VANS

**NEW**

These steel 2 OR 3 Crossbar Racks are the most economical way to carry ladders and long rigid materials. Uprights are low profile (8" H), specially designed to accept special ratchet straps that quickly and safely secure one ladder, or a stack of ladders. Crossbars are 1.5" square steel tubing, 53" L. Uprights bolt directly to factory roof mounts. Ladder stops included. Accessory rear roller assembly is available. Racks zinc primed for superior corrosion protection and powder coated white.



40821	2 Crossbar Rack - Compact and Low Roof Cargo Vans (See Application Guide on Page 31) Includes Wind Deflector
40822	Add a 3rd Middle Crossbar to #40821
40819	2 Crossbar Rack Kit - with 2 Retractable Ratchet Straps (#40830) - Includes Wind Deflector
40829	Rear Roller Bar (Recommended for Use with #40821 to Protect Roof) - Transit Only
40830	Retractable Ratchet Straps (Pair) - Mounts to Crossbar End Plate - 1" x 6' - Fits #40821 & #40822

# HEAVY-DUTY PRO II VAN Cargo Rack



## Kargo Master Pro II Van Cargo Rack Features and Benefits

- Extends to full length of van (165" L x 55" W) for maximum cargo capacity.
- 4 heavy-duty 2" diameter crossbars to fully support long and short loads.
- Rear roller bar makes loading easy.
- Level cross bars support sheet goods, elevated standing platform, lumber, ladders, pipe, etc.
- Wide mount feet clamp securely to rain gutter.
- Feet coated at bottom to protect rain gutter paint.
- Each model fits full-sized Ford E-Series, GM Express, pre-Sprinter Dodge, and all full-sized vans with rain gutters.
- No drilling or cutting required.
- Zinc epoxy primed for superior rust resistance.
- Available in chip resistant black powder coat only.
- Quick and easy to assemble and install.
- Driver side load retainers are included.

**THIS RACK WILL FIT ANY VAN WITH RAIN GUTTERS.**

**Includes Rear Roller Bar for Easy Loading**



Rear roller bar makes it easier to load heavy ladders, bulky items, sheet goods and protects the top of the van.



## Retractable Ratchet Straps

- These clamp-on ratchet straps enable you to quickly and safely secure cargo on top of a rack. #31490 comes with mounting hardware.

31490 Retractable Ratchet Straps (Set of 2)

PART #	DESCRIPTION
40870	Pro II Heavy-Duty Material Rack Feet & Bars Kit with Real Roller
40880	Pro II Heavy-Duty Material Rack Side Channel Kit
<b>You must purchase both items to build a complete rack.</b>	

(800) 343-7486

P36 VISIT [KARGOMASTER.COM](http://KARGOMASTER.COM) FOR MORE INFORMATION

**KARGO MASTER**  
WE PUT EVERYTHING WITHIN REACH

## The Choice is Clear: **Kargo Master** for Your **Truck Racks**.

**Kargo Master** earned its stripes by manufacturing truck racks that have simply withstood the tests of time, wear and tear, and weather conditions from mild to extreme cold and heat. **Just look at these exceptional features . . .**

### DURABILITY

**WE HATE RUST TOO!** That's why every steel component of every **Kargo Master** rack is zinc epoxy primed beneath the gloss marine grade polyester powder coat finish. This system provides over five times the corrosion protection of a conventional un-primed powder coat. All fasteners are yellow zinc plated or stainless steel. No other manufacturer goes to this expense to protect your rack and your vehicle.



### STYLE

All **Kargo Master** racks are made from round tubing that is stronger than square, and easy on the eye. Our premium full length racks have a sleek "Flying Wedge" appearance, with well proportioned top and bottom tubes. In the rear, the top tube resolves into the rear leg, forming an attractive rounded grab loop. We use clean swaged tube joints that disappear. Fasteners are smooth button head for OEM appearance. Finish is black gloss (steel) or silver (aluminum).



SILVER



BLACK

### STRENGTH

Don't be misled by published rack load capacity. There is no industry standard for measuring capacity. There is a big difference between supporting a static load and supporting that load while coming to a hard stop, veering around a tight freeway off ramp, or bouncing over pot holes or railroad tracks. **Kargo Master** makes the strongest production racks available, and it is easy to understand why. We use bigger thicker round tubes, with extensive gusseting of legs and cross bars.

<b>Pro II &amp; Econo Truck</b>	<b>2" Dia. x .083" Thick High Tensile Strength Steel Mechanical Tubing</b>
<b>Pro III</b>	<b>1 5/8" Dia. x .083" Thick High Tensile Strength Steel Mechanical Tubing</b>
<b>Pro IV</b>	<b>2" Dia x .12" Think T-6 Aircraft Aluminum</b>

These premium materials provide the highest rack capacity/rack weight ratio in the industry. Think of a mountain bike frame. Know this for sure. Your **Kargo Master** rack is, and if the capable of supporting more weight than the truck it sits upon rack frame bends, cracks, breaks or mechanically fails in any way, we will replace it free, forever.

### LOAD CAPACITY AND SAFETY

We are frequently asked about how much weight our racks will carry. Rack capacity is different from the amount of weight that can be carried safely by, or without damaging the body of your vehicle. While our racks are "rated" to carry a certain load, that does not necessarily mean you can, or should carry such a load on top of your rack! The manufacturer of your truck has specified a GVW (gross vehicle weight) limitation. That specified carrying limit is designed around the stock springs, tires, body strength and other components. Additionally, you must remember that any load on top of your rack will significantly change the handling and braking characteristics of your truck and may increase the vehicle's tendency to roll over. Overloading may also damage the bodywork of your truck. Never exceed the manufacturer's cargo weight recommendations and use common sense when loading your vehicle.

# TRUCK RACKS Application Guide

FOR TRUCKS WITHOUT SHELLS	SIDE CHANNEL		LEG & BAR
<b>PRO II HEAVY-DUTY STEEL CARGO RACK FOR FULL-SIZED TRUCKS (2" DIA.) – BLACK ONLY</b> (See page 37)			
Standard Cab - Long Bed (GM, Ram, Tundra, F-150)	04000	+	01000
Standard Cab - Long Bed (F-250, F-350)	04000	+	01040
Extended Cab/Crew Cab (GM, Ram, Tundra, F-150)	06000	+	01000
Extended Cab/Crew Cab - Short Bed 75" to 78" (GM, Ram, Tundra, F-150)	06010	+	01000
Extended Cab/Crew Cab - Long Bed (F-250 SD, F-350 SD, Ram Mega Cab)	06000	+	01040
Extended Cab/Crew Cab - Short Bed 75" to 78" (F-250 SD, F-350 SD, Ram Mega Cab)	06010	+	01040
Extended Cab/Crew Cab - Short Bed 75" (Ram Box, Tundra)	06020	+	01000
<b>PRO III MEDIUM-DUTY CARGO RACK FOR FULL-SIZED &amp; MINI TRUCKS (1 5/8" DIA.) – BLACK ONLY</b> (See p 38)			
All Full-Sized (GM, Ram, Tundra, Ford)	80000		--
Mid-Sized (GM Canyon & Chevy Colorado, Tacoma*)	80020		---
*2005 & NEWER TACOMA WITH 72" BED REQUIRES ADDITIONAL PART #31270 BED RAIL			
<b>PRO IV ALUMINUM CARGO RACK FOR FULL-SIZED TRUCKS (2" DIA.) – SILVER ONLY</b> (See page 36)			
All Full-Sized (GM, Ram, Tundra, Ford, Nissan)	90000		--
<b>MEDIUM-DUTY ECONO CARGO RACKS FOR FULL-SIZED &amp; MINI TRUCKS – BLACK ONLY</b> (See page 39)			
Econo Truck Rack - 2" dia. (1 Upright - Front or Back - Clamp-On Mount)	30050		--
Quick Pack Rack - 1.5" dia. (All Full-Sized and Mini Trucks)	30090		--
FOR TRUCKS WITH SHELLS	SIDE CHANNEL		LEG & BAR
<b>PRO II HEAVY-DUTY STEEL CARGO RACK FOR FULL-SIZED TRUCKS (2" DIA.) – BLACK ONLY</b> (See page 40)			
Standard Cab - Long Bed (GM, Ram, Tundra, Ford, Nissan)	04000	+	01110
Extended Cab/Crew Cab (F-150, GM, Ram, Tundra, Nissan)	06000	+	01110
Extended Cab/Crew Cab - Short Bed 75" to 78" (GM, Ram, Tundra, F-150, Nissan)	06010	+	01110
Extended Cab/Crew Cab - Long Bed (F-250 SD, F-350 SD, Ram Mega Cab)	06000	+	01130
Extended Cab/Crew Cab - Short Bed 75" to 78" (F-250 SD, F-350 SD, Ram Mega Cab)	06010	+	01130
Extended Cab/Crew Cab - Short Bed 75" (Tundra)	06020	+	01110
<b>PRO III MEDIUM-DUTY CARGO RACK FOR MINI TRUCKS (1 5/8" DIA.) – BLACK ONLY</b> (See page 40)			
All Mid-Sized (GM, Tundra, Ford, Pre-2005 Tacoma) (Black Only)	80030		--
THIS APPLICATION WILL NOT FIT 2005 & NEWER TACOMA OR NISSAN FRONTIER			
Top Rack Mount (Silver)	80070		--
<b>MEDIUM-DUTY ECONO CARGO RACKS FOR FULL-SIZED &amp; MINI TRUCKS – BLACK ONLY</b> (See page 39)			
Econo Truck Rack - 2" dia. (Front and Back - Clamp-On Mount)	30060		--
FOR TRUCKS WITH SERVICE BODIES	SIDE CHANNEL		LEG & BAR
<b>PRO II HEAVY-DUTY STEEL CARGO RACK FOR FULL-SIZED TRUCKS (2" DIA.)</b> (See page 42)			
Standard Cab – 8 ft. Body – <b>Black</b> (Also Available in White - Part #78003 + #70023)	78000	+	70020
Extended Cab – 8 ft. Body – <b>Black</b> (Also Available in White - Part #78013 + #70023)	78010	+	70020
Standard Cab – 9 ft. Body – <b>Black Only</b>	79000	+	70020
Extended Cab – 9 ft. Body – <b>Black Only</b>	79010	+	70020
Standard Cab – 11 ft. Body – <b>Black Only</b>	79010	+	70020
Option – "A" and "B" Mounts	70060		--
8 FT. RACKS ARE AVAILABLE IN WHITE. CHANGE THE LAST DIGIT ON THE PART NUMBER FROM "0" TO "3"			
FOR TRUCKS WITH PLATFORM BODY	SIDE CHANNEL		LEG & BAR
<b>PRO II HEAVY-DUTY STEEL CARGO RACK FOR FULL-SIZED TRUCKS (2" DIA.) – BLACK ONLY</b> (See page 37)			
Standard Cab – 8 ft. Body	78000	+	70030
Standard Cab – 9 ft. Body	79000	+	70030
Standard Cab – 11 ft. Body	79010	+	70030
FOR COMMERCIAL VANS	SIDE CHANNEL		LEG & BAR
<b>PRO II HEAVY-DUTY STEEL CARGO RACK FOR COMMERCIAL VANS (2" DIA.) – BLACK ONLY</b> (See page 37)			
All Full-Sized Commercial Vans	40880	+	40870
LADDER RACKS FOR FULL-SIZED TRUCKS WITH COMMERCIAL CAPS - ALL WHITE			
Single Commercial Cap EZ Drop-Down Ladder Rack (Curb Side Only) – <b>SPECIAL ORDER – ALLOW 60 DAYS</b>	4093C		
Clamp & Lock Mechanism Only – Add to #4093C	40813		
Commercial Cap Drop Down Mechanism	40943		
Double Commercial Cap EZ Drop-Down Ladder Rack – <b>SPECIAL ORDER – ALLOW 60 DAYS</b>	4093C	+	40943
Combo Commercial Cap EZ Drop-Down + Clamp & Lock Ladder Rack – <b>SPECIAL ORDER – ALLOW 60 DAYS</b>	4093C	+	40813

(800) 343-7486

P38 VISIT [KARGOMASTER.COM](http://KARGOMASTER.COM) FOR MORE INFORMATION

**KARGO MASTER**  
WE PUT EVERYTHING WITHIN REACH



# HEAVY-DUTY PRO II Pick Up Truck Cargo Racks

- Rack removes easily with 4 bolts.
- 5" swaged joints provide double strength.
- High-strength yellow zinc plated self-locking fasteners.
- Wide OPTIONAL: Full length bed rails available.

FREE REMOVABLE  
4TH CROSS BAR

QUICK RELEASE REAR CROSS  
BAR. NO TOOLS REQUIRED.

BUILT-IN ROPE  
TIES ON EACH LEG

NO-DRILL CLAMP-ON  
MOUNTS INCLUDED

INDUSTRY  
STRONGEST  
RACK

## THE PRO II DIFFERENCE

Serious tradesmen use substantial tools. **Kargo Master** racks are the top choice because they work hard and look great!

Here's why ...

### Bigger Tubes, Stronger Frame

- Big 2" dia. x .083" steel tube frame is the strongest available.
- **1,700" cargo capacity.**
- Nationwide lifetime frame guarantee.

### Premium Powder Coat Finish

- Zinc epoxy primed for superior corrosion protection.
- Polyester marine-grade powder coat specially formulated to resist corrosion and abrasion.
- Will not fade or dull.

### Bigger Tubes, Stronger Frame

- Sleek "Flying Wedge" design.
- Smooth tubular components.
- Styish gloss black.

FOR FULL-SIZED TRUCKS ONLY

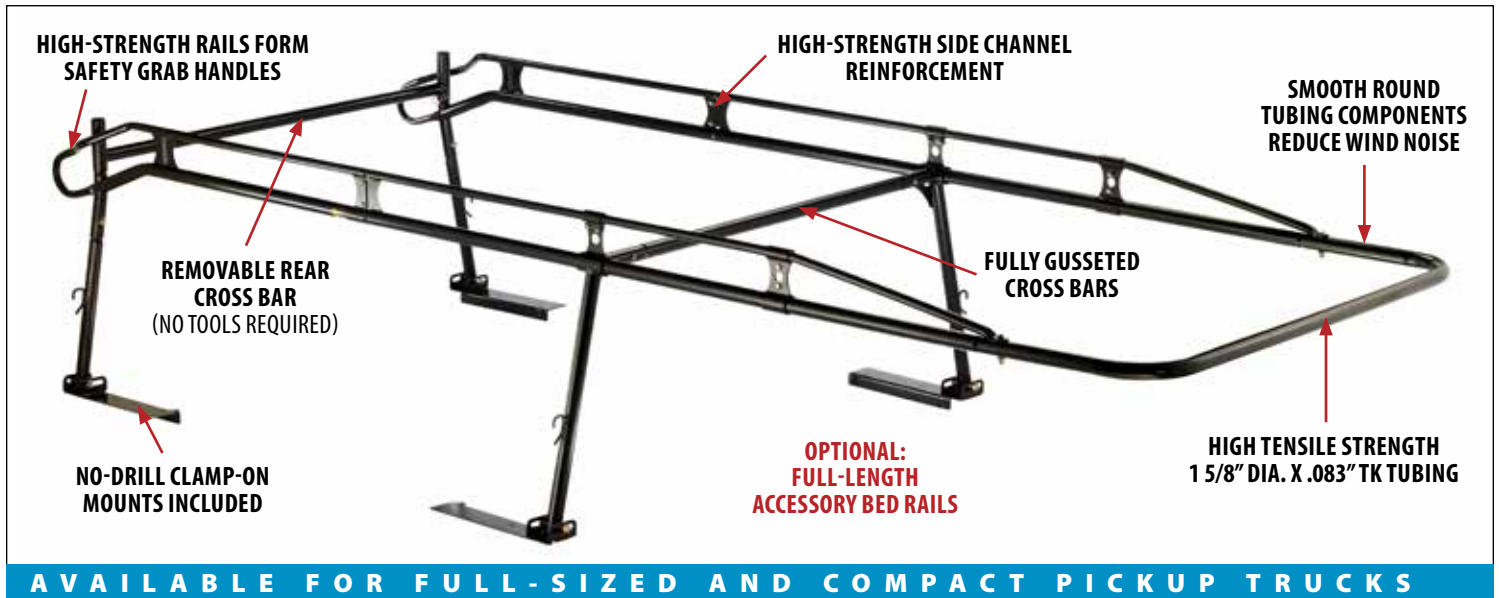


PRO-II • TRUCK WITHOUT SHELL	TRUCK TYPE:					
	FULL SIZE Std. Cab		FULL SIZE Ext. Cab		F-250, F-350, Crew Cab	
BED TYPE:	Short	Long	Short	Long	Short	Long
A	128"	145"	155"	172"	155"	172"
B	72"	90"	72"	90"	72"	90"
C	26"		28"			
D	33"		35"			
E	53"					

## PRO II HEAVY-DUTY STEEL CARGO RACK FOR FULL-SIZED TRUCKS (2" DIA.) - BLACK ONLY

Standard Cab - Long Bed (GM, Ram, Tundra, F-150)	04000	+	01000
Standard Cab - Long Bed (F-250, F-350)	04000	+	01040
Extended Cab/Crew Cab - Long Bed (GM, Ram, Tundra, F-150)	06000	+	01000
Extended Cab/Crew Cab - Short Bed 75" to 78" (GM, Ram, Tundra, F-150)	06010	+	01000
Extended Cab/Crew Cab - Long Bed (F-250 SD, F-350 SD, Ram Mega Cab)	06000	+	01040
Extended Cab/Crew Cab - Short Bed 75" to 78" (F-250 SD, F-350 SD, Ram Mega Cab)	06010	+	01040
Extended Cab/Crew Cab - Short Bed 75" (Ram Box, Tundra)	06020	+	01000

# MEDIUM-DUTY PRO III Pick Up Truck Cargo Racks



## UNIQUE NEW DESIGN

- Front legs adjust to fit any bed length.
- Rugged .083" Tk. steel 1 5/8" tubing for superior strength.
- Abrasion and corrosion resistant "polyester marine-grade" powder paint.
- Easy to assemble with self-locking nuts.
- **1,000# capacity.**
- Yellow zinc dichromate finished hardware resists corrosion up to five times longer than competitive models.
- Swaged joints and fully gusseted crossbars for superior load capacity.



## Standard Foot Plates (Four of Each Included)

- These no-drill, clamp on foot mounts and stake pocket T bolts are specially designed to allow mounting Pro II, Pro III, Pro IV or Econo Utility Trucks series racks to your truck's bed railing without drilling. Does not reduce rack's carrying capacity.



## Full-Length Accessory Bed Rails (Optional)

- These accessory bed rail-type mounts distribute the rack load, protect your pick up bed sides, and provide a strong flat base for mounting a tool box.



31300	96" Bed
31280	78" Bed
31270	72" Bed & '05 + Tacoma

PRO III DIMENSIONS		
TRUCK TYPE:	Full Size	Mini / Mid.
A	155"	142"
B	56" - 98"	48" - 84"
C	26 1/2"	23"
D	33"	29"
E	54"	48"

## PRO III MEDIUM-DUTY CARGO RACK FOR FULL-SIZED & MINI TRUCKS (1 5/8" DIA.) – BLACK ONLY

<b>All Full-Sized</b> (GM, Ram, Tundra, Ford) – For Trucks Without Shell	80000		--
<b>All Mid-Sized</b> (GM, Ford, Pre-2005 Tacoma) – For Trucks Without Shell	80020		---
2005 & NEWER TACOMA WITH 72" BED REQUIRES ADDITIONAL PART #31270 BED RAIL			

(800) 343-7486

P40 VISIT [KARGOMASTER.COM](http://KARGOMASTER.COM) FOR MORE INFORMATION

**KARGO MASTER**  
WE PUT EVERYTHING WITHIN REACH

# MEDIUM-DUTY PRO IV Aluminum Pick Up Truck Cargo Rack



- Rugged 2" Dia. x .12" Tk. T-6 aircraft aluminum alloy tubing for superior strength.
- Attractive metallic powder coat finish with protective clear coat for sheen.
- Easy to assemble with self-locking nuts.
- **1,000# capacity.**
- No-drill clamp-on mounts.
- Easily removed with 4 bolts.
- Swaged joints and fully gusseted cross bars for superior load capacity.
- All stainless steel fasteners.

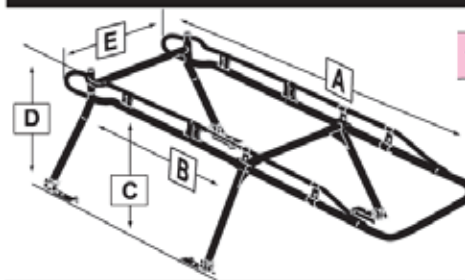


**FOOT PLATE DETAIL**

## UNIQUE DESIGN

- Front legs adjust to fit any bed length.
- Mounting plates allow width adjustment to fit all full-sized trucks.

## PRO IV DIMENSIONS



TRUCK TYPE:	Full Size
A	155"
B	56" - 98"
C	26½"
D	33"
E	54"

PRO IV ALUMINUM CARGO RACK FOR FULL-SIZED TRUCKS (2" DIA.) – SILVER ONLY	PART #		
All Full-Sized (GM, Ram, Tundra, Ford, Nissan)	90000		--
Add a 4th Cross Bar	31690		--

# SERVICE BODIES Cargo & Ladder Truck Racks



- Big 62" W crossbars provide more carrying capacity – total 1,700 lbs.
- For 8 ft. and 9 ft. service bodies – standard and extended cab, and 11 ft. standard cab.
- Service Body Racks accept all Pro II accessories. Mount clamps are available to attach your custom accessories.



## Fits Virtually All Makes and Models of Service Bodies



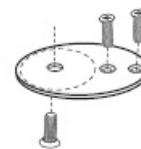
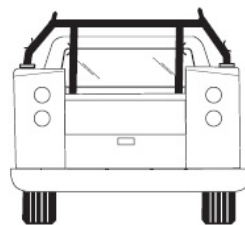
7" VERTICAL LEG ADJUSTMENT.  
2" FRAME LENGTH ADJUSTMENT

These highly crafted racks are quick to assemble and install. Our exclusive high strength round steel tubing and patented, precision fit interlocking components provide all the carrying capacity your truck and service body can handle. Our unique rear mounting brackets attach in areas where the rear body panel is reinforced.

Telescoping front legs ensure optimal cab clearance.

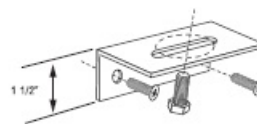
**Lifetime Frame Guarantee!**

These highly crafted racks are quick to assemble and install. Rear leg mount brackets attach to the rear panel of the body. Brackets are located at the reinforced outside corner of the box where they can be raised or lowered without hitting tail lights. The height of the rack over the cab can be optimally set for all makes and models of truck or service body. Mount brackets set the legs off 5/8" from the rear panel to accommodate top opening boxes.



### OPTION A MOUNTS

When it is not possible to attach the included rear leg mounts to the back panel of your service body, an alternative is to mount the rear legs on top of the box. In order to do this, you must purchase our accessory mount kit #70060.



### OPTION B MOUNTS

When it is not possible to attach the included rear leg mounts to the back panel of your service body in the ATTACHING AREA as shown above, an alternative is to mount the rear legs below the box lid and above the tail light/box lock. In order to do this, you must purchase our accessory mount kit #70060.

PRO-II • SERVICE BODY	BODY TYPE:			
	8 FT.		9 FT.	9 FT. Ext. Cab
	Std. Cab	Ext. Cab	Std. Cab	11 FT. Std. Cab
A	150"	172"	160"	180"
B	27"			
C	18" - 25"			
D	25" - 32"			
E	62"			
F	48"			
G	77.5" - 79"			

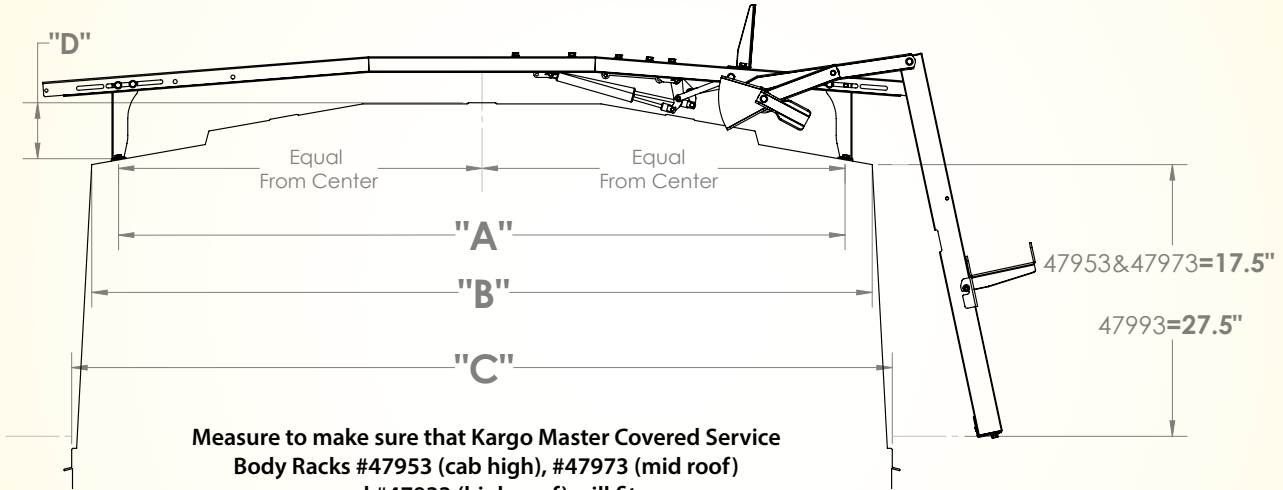
FOR TRUCKS WITH SERVICE BODIES	SIDE CHANNEL		LEG & BAR
<b>PRO II HEAVY-DUTY STEEL CARGO RACK FOR FULL-SIZED TRUCKS (2" DIA.)</b> – See Page 37			
<b>Standard Cab</b> – 8 ft. Body – <b>Black</b> (*Also Available in <b>White</b> - Part #78003 + #70023)	78000	+	70020
<b>Extended Cab</b> – 8 ft. Body – <b>Black</b> (*Also Available in <b>White</b> - Part #78013 + #70023)	78010	+	70020
<b>Standard Cab</b> – 9 ft. Body – <b>Black Only</b>	79000	+	70020
<b>Extended Cab</b> – 9 ft. Body – <b>Black Only</b>	79010	+	70020
<b>Standard Cab</b> – 11 ft. Body – <b>Black Only</b>	79010	+	70020
<b>Option - A and B</b> Mounts (Specify Option "A" or "B" When Ordering)	70060		--
*8 FT. BODIES ARE AVAILABLE IN WHITE. CHANGE THE LAST DIGIT ON THE PART NUMBER FROM "0" TO "3". I.E. #78003 RATHER THAN #78000.			

(800) 343-7486

P42 VISIT [KARGOMASTER.COM](http://KARGOMASTER.COM) FOR MORE INFORMATION

**KARGO MASTER**  
WE PUT EVERYTHING WITHIN REACH

## COVERED SERVICE BODY FIT GUIDE



### FOUR EASY STEPS.

1. Mounting width (Dimension A) must be in the range 67.5" to 81.5". Locate feet (left to right) about 1" inboard from shoulder if possible.
2. Shoulder width (Dimension B) must be less than 86.5".
3. Body width at bottom of shoe (Dimension C) must be less than:
  - a. 96.5" for **Models #40953** and **#40973**. Measure this body width at a distance of 17.5" down from the shoulder (Dimension C).
  - b. 96.5" for **Model #40993**. Measure this body width at a distance of 27.5" down from the shoulder (Dimension C).
4. Crown height above foot mount location (Dimension D) must be less than 6".



LADDER RACKS FOR COVERED SERVICE BODIES	PART #
<b>LOW ROOF SINGLE AND DOUBLE WHEEL</b>	
Single Low Roof Covered Body EZ Drop Down Ladder Rack	47953
Clamp & Lock Mechanism Only	40813
Drop Down Mechanism Only	40963
Double Low Roof Covered Body EZ Drop Down Ladder Rack	47953 + 40963
Combo Low Roof Covered Body Ladder Rack	47953 + 40813
<b>MID ROOF SINGLE AND DOUBLE WHEEL</b>	
Single Mid Roof Covered Body EZ Drop Down Ladder Rack	47973
Mid Roof Drop Down Mechanism Only	40983
Double Mid Roof Covered Body EZ Drop Down Ladder Rack	47973 + 40983
<b>HIGH ROOF SINGLE AND DOUBLE WHEEL</b>	
Single High Roof Covered Body EZ Drop Down Ladder Rack	47993
High Roof Drop Down Mechanism Only	40913
Double High Roof Covered Body EZ Drop Down Ladder Rack	47993 + 40913

# MEDIUM-DUTY ECONO Pick Up Truck Utility Racks

## QUICK PAC RACK (One Side Only – Left or Right)

- Big 1.5" x .0833" steel tube frame is the strongest available.
- 250# capacity.
- Zinc primed beneath black machine powder coat finish for superior corrosion protection.
- Adjustable arm width.
- Adjustable arm angle (horizontal or tilted).
- Fits full-sized or mini trucks.
- Uprights easily removable.



FRONT MOUNT



REAR MOUNT

### MEDIUM-DUTY ECONO CARGO RACKS FOR FULL-SIZED & MINI TRUCKS – BLACK ONLY

Quick Pack Rack - 1.5" dia. (All Full-Sized and Mini Trucks)	30090		--
--	-------	--	----

## ECONO TRUCK RACK WITHOUT SHELL



RACK PART #30050 X 2 FRONT AND BACK (PURCHASE 2 RACKS)



RACK PART #30050 CAN BE USED IN FRONT OR BACK (1 RACK)

- Big 2" dia. x .083 steel tube frame is the strongest available.
- Zinc primed beneath black marine powder coat finish for superior corrosion protection.
- Adjustable bar height – 24" or 27".
- No-drill clamp-on installation.
- Mount a double or single in front or back.
- Fits all full-sized mini trucks except step/flare side.



### MEDIUM-DUTY ECONO CARGO RACKS FOR FULL-SIZED & MINI TRUCKS – BLACK ONLY

Econo Truck Rack - 2" dia. (1 Upright - Front or Back – Clamp-On Mount) -- Must Order 2 Units for a Front & Back	Single 30050	Front & Back 30050 x 2
--	-----------------	---------------------------

(800) 343-7486

P44 VISIT [KARGOMASTER.COM](http://KARGOMASTER.COM) FOR MORE INFORMATION

**KARGO MASTER**  
WE PUT EVERYTHING WITHIN REACH

# RACKS FOR PICKUP TRUCKS WITH SHELLS

## HEAVY-DUTY PRO II CARGO RACK



### Camper Shell Front Mount Assembly

With camper shell applications, the rack footplates cantilever out from the side of the truck. This unique **Kargo Master** front mount assembly eliminates stress that can bend or otherwise damage thin sheet metal used in late model truck beds. Mounting is safe, simple, and solid as a rock. Front mount assembly is included with all Camper Shell racks.

PRO-II • TRUCK WITH SHELL	TRUCK TYPE:					
	FULL SIZE		F-250, F-350, Crew Cab			
	Std. Cab	Ext. Cab	Short	Long	Short	Long
A	128"	145"	155"	172"	155"	172"
B	73"	91"	73"	91"	73"	91"
C	25" or 28" or 31"				27" or 33"	
D	32" or 35" or 38"				34" or 40"	
E	62"					

## MOUNT OPTIONS FOR CAMPER SHELL RACKS

### Taller Legs for High Rise Shells

These extended camper shell legs (set of four) are longer than standard to provide extra clearance for high rise camper shells.

**Part # 31650** – 6" Taller for Mid-Sized Trucks - Pro III (#80030 only)

**Part # 31530** – 6" Taller for Full-Sized Trucks - Pro II (#01110 only)

**Part # 31540** – 6" Taller for F-250 & F-350 - Pro III (#01130 only)

## MEDIUM-DUTY PRO III CARGO RACK



### For Mid-Sized Trucks Only

Part #80030 mounts on truck bed rail features 1 5/8" tubing, heavy-duty front mount assembly shown above, beefy .25" tk. foot plates, and a load capacity consistent with smaller mini/med trucks. Dimensions same as part #80020, except width E is 55", and heights C and D can be increased 6" with accessory leg kit part #31650.

### For All-Sized Camper Shells

Part #80070 mounts on top of camper shell. Perfect for fiberglass shells that wrap around truck bed rails. No notching for foot plates. Top mount feet can be located at any length or width between 39"-45" apart. Heavy rubber gasket between shell top and mount plate provides waterproof seal. Rack is 108" long. **NOW IN METALIC SILVER.**

FOR TRUCKS WITH SHELLS	SIDE CHANNEL		LEG & BAR
<b>PRO II HEAVY-DUTY STEEL CARGO RACK FOR FULL-SIZED TRUCKS (2" DIA.) – BLACK ONLY</b>			
Standard Cab - Long Bed (GM, Ram, Tundra, Ford, Nissan)	04000	+	01110
Extended Cab/Crew Cab (F-150, GM, Ram, Tundra, Nissan)	06000	+	01110
Extended Cab/Crew Cab - Short Bed 75" to 78" (GM, Ram, Tundra, F-150, Nissan)	06010	+	01110
Extended Cab/Crew Cab - Long Bed (F-250 SD, F-350 SD, Ram Mega Cab)	06000	+	01130
Extended Cab/Crew Cab - Short Bed 75" to 78" (F-250 SD, F-350 SD, Ram Mega Cab)	06010	+	01130
Extended Cab/Crew Cab - Short Bed 75" (Tundra)	06020	+	01110
<b>PRO III MEDIUM-DUTY CARGO RACK FOR MID-SIZED TRUCKS (1 5/8" DIA.) – BLACK ONLY</b>			
All Mid-Sized (GM, Ford, Pre-2005 Tacoma) (Black Only)	80030		--
THIS APPLICATION WILL NOT FIT 2005 & NEWER TACOMA OR NISSAN FRONTIER			
Top Rack Mount (Silver) - Also Fits Compact Cargo Vans	80070		--

## RACK FOR TRUCKS WITH SHELL MEDIUM-DUTY ECONO CARGO & LADDER RACK



### Fits All Trucks With Cab High Shells

Part #30060 mounts on truck bed rail, features sturdy 2" tubing, beefy .25" tk. foot plates and two height settings: 24" or 27". (High setting shown)

## RACKS FOR FULL-SIZED TRUCKS WITH COMMERCIAL CAPS



**Kargo Master** provides a rugged ladder rack system for trucks with commercial caps. Like all **Kargo Master** racks, they can be configured with clamp and lock or drop down mechanisms or any combination your customer needs. Rack can be fitted to most commercial caps. Foot plate bolt reinforcements are recommended for mounting on commercial caps. Ask your cap manufacturer to include this option. **Kargo Master** will supply the locations for mounting plates. The racks are available on a special order basis. Please allow up to 60 days for delivery. Lead time may vary with order size.

## RACKS FOR TRUCKS WITH PLATFORM BODIES



Platform racks are supported in front by the existing cab guard. The rear legs are height adjustable by cutting, with mount brackets that bolt to the platform body frame.

FOR TRUCKS WITH PLATFORM BODY	SIDE CHANNEL		LEG & BAR
<b>PRO II HEAVY-DUTY STEEL CARGO RACK FOR FULL-SIZED TRUCKS (2" DIA.) - BLACK ONLY</b> (See page 37)			
Standard Cab - 8 ft. Body	78000	+	70030
Standard Cab - 9 ft. Body	79000	+	70030
Standard Cab - 11 ft. Body	79010	+	70030
<b>LADDER RACKS FOR FULL-SIZED TRUCKS WITH COMMERCIAL CAPS</b>			
Top Rack Mount (Silver) - Also Fits Compact Cargo Vans	80070		--

**Kargo Master** can provide racks for commercial caps on a special order basis. These racks for commercial caps can be configured as clamp and locks or drop-down racks. Please allow for extra lead time as these are special order items.

Contact **Kargo Master** at (800) 343-7486 for detailed information on lead time and rack applications.

(800) 343-7486

P46 VISIT [KARGOMASTER.COM](http://KARGOMASTER.COM) FOR MORE INFORMATION

**KARGO MASTER**  
WE PUT EVERYTHING WITHIN REACH



## Lockable Conduit Box Kit



Carrying stall safely secures tubing or pipe to your rack. Made of heavy gauge power coated steel. Includes complete mounting bracket kit. Use with our load dividers or when boxes are used in pairs, cargo can be locked to prevent theft.

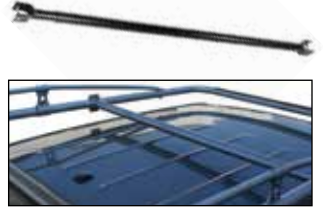


31000 Conduit Box Kit

## Extra Cross Bar Pro II, III & IV

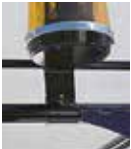


Provides additional support points anywhere you need them. Removes quickly for bed access or taller loads.



31110	2" Steel Black - Pro II
31600	1.625" Steel Black - Pro III
31690	2" Aluminum Silver - Pro IV

## Emergency Light Mount\*



Mounts emergency flasher to any location on side rails.

31170 Emergency Light Mount Bracket

## Load Dividers\*



Clamps to cross bar tubes to control cargo movement. Use separately or with conduit box.

31020 Load Dividers (Pair)

## Window Guard for #10000, #01040 & #80000

Protects rear cab window while adding support to both the racks and the truck bed. For all Pro II racks. Powder coated 16 gauge cold rolled steel.

**Additional brackets required (#31080C) for use with #01040 Leg Kit or Pro III #80000.**



31080 Pro II Steel Full Size

## Lockable Quick Clamp Ladder Holder



31730 Lockable Quick Clamp Ladder Holder

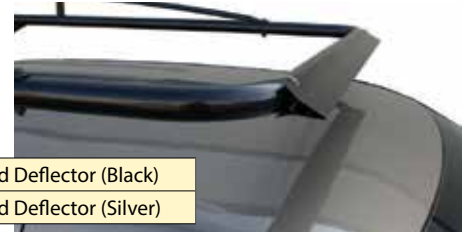
## Mount Kit for Ram Box



31740 Mount Kit for Ram Box

## Front Bar Wind Deflector

All truck racks make some wind noise when air rushes around the front U bar. This clamp-on deflector can be adjusted to significantly reduce noise.



31570 Front Bar Wind Deflector (Black)  
31572 Front Bar Wind Deflector (Silver)

## Bed Support F/S Truck



These adjustable struts (sold in sets of two) transfer much of the rack load from the bedrail to the floor of your truck. Use in front only. For heavy loads.

31040 Bed Support Full-Sized Truck

## Retractable Ratchet Straps



2" x 7'. These built-on retractable ratchet straps allow quick and easy tie down of items on top of the rack. Bushing kit included.

31490 Retractable Ratchet Straps (Set of 2)

## 6" Taller Leg Kit for Camper Shell Rack Only

These extended camper shell legs (set of four) are 6" longer than standard to provide extra clearance for high-rise camper shells.



31530 Works with #0111-0  
31540 Works with #0113-0  
31650 Works with #80030

## Water Jug Mount\*



Mounts Igloo™ style water barrel to leg of any Pro II pick up rack.



31160 Water Jug Mount

## Utility Hook



Side mount hook holds coiled materials within each reach of ground.

31150 Utility Hook

## Standard Full Length Bed Rails for Pro II & III

These accessory bed rail type mounts distribute the rack load, protect your pick up bed sides and provide a strong base for mounting a tool box. Not available for camper shell rack.



31270 Pro II & III - 72" Bed  
31280 Pro II & III - 78" Bed  
31300 Pro II & III - 96" Bed

### Important!

Unless otherwise noted with a **red \***, all accessories listed on this page are steel and will only fit 2" dia. Pro II and IV. Parts with the **red \*** will fit Pro III, but bushing part #31700 is required.

# CARGO VAN PRODUCTS Index by Part #

PART	PG	DESCRIPTION
31490	IBC & 36	Retractable Ratchet Straps
31500	IBC	Retractable Ratchet Straps
31570	34	Front Bar Wind Deflector
31572	34	Front Bar Wind Deflector
400AL	28	Commercial Shelving Package
401AL	29	Deluxe Shelving Package
402AL	29	HVAC Package
403AL	29	Telecom Package
400CE	24	Commercial Shelving Package
40010	6	42" W Shelf Door Kit
4001C	12	Base Package
4001M	22	Base Package
40020	6	32" W Shelf Door Kit
4002A	6	32" W Aluminum Shelf Door Kit
4002C	16	General Contractor Package
40030	7	Shelf Dividers 3.5" Tall
4003C	12	Commercial Bin Package
4003M	22	Commercial Bin Package
40040	6	52" W Shelf Door Kit
4004C	13	General Service Package
4004M	22	General Service Package
4005C	14	Electric & Gas Appliance Repair
4005M	23	Electric & Gas Appliance Repair
40060	7	3-Prong "J" Hook
4006C	14	Heating & A/C Repair Package
4006M	23	Heating & A/C Repair Package
40070	6	Steel 2 Drawer Cabinet
4007C	15	EZ General Service Package
40080	6	Steel 3 Drawer Cabinet
40090	6	Steel 4 Drawer Cabinet
40NVH	18	Base Package
40NVL	12	Base Package
40PML	18	Base Package
40PMS	18	Base Package
40SPH	18	Base Package
40SPL	18	Base Package
40TCL	24	Commercial Shelving Package
40TCS	24	Commercial Shelving Package
40TLL	12	Base Package
40TLM	18	Base Package
40TRL	12	Base Package
40TRM	18	Base Package
40100	8	4-Tier Refrigerant Tank Rack
4010M	23	Tradesman Service Package
401CE	25	Deluxe Commercial Shelving Package
4011C	16	America's Most Popular Package
4013C	12	Base Package
40140	7	Plastic Drawer Bin with Dividers
40200	8	3-Tier Refrigerant Tank Rack
402CE	26	General Service Package
40210	8	Driver Data File (Chevy Express & GM Savanna)
40220	8	Cabinet Locker Full Door
40230	8	5-Spindle Wire Reel Holder
40240	8	Driver Data File (Ford Transit & Ram ProMaster)
40250	10	Steel 3 Long Heavy-Duty Drawer
40260	10	Rotating Rear Wheel Well
40270	8	Hanging File Rack
40280	8	Standing Binder Rack
40290	8	Standing Bin Holder
40300	8	Wire Water Jug Holdere
403CE	27	Plumbing Package
40310	7	10" W Plastic Shelf Bin

PART	PG	DESCRIPTION
40330	7	5" W Plastic Small Parts Shelf Bin
404CE	26	Electrical Contractor Package
405CE	25	HVAC Package
406CE	27	Telecom Package
406SL	2	Sprinter Low Roof Wing Kit
4061S	2	Sprinter High Roof Partition
406TH	2	Ford Transit Mid/High Roof Wing Kit
406TL	2	Ford Transit Low Roof Wing Kit
40620	8	Center Panel Latch & Door Kit
40640	2	Common Low Roof Partition
4064C	2	GMC Wing Kit
4064F	2	Ford E-Series Wing Kit
4064M	2	Metris Wing Kit
4064P	2	Ram ProMaster Low/High Roof Wing Kit
406TH	2	Ford Transit Mid/High Roof Wing Kit
406TL	2	Ford Transit Low Roof Wing Kit
4067A	2	Compact Cargo Van Aluminum Partition
40670	2	Compact Cargo Van Steel Partition
40680	2	Compact Cargo Van Wire Partition
406NH	2	Nissan NV High Roof Wing Kit
406NL	2	Nissan NV Low Roof Wing Kit
4070C	3	GMC Side Door Hinged Window Screen
4070F	3	Ford E-Series Side Door Sliding
4070T	3	2015+ Low Roof Ford Transit Side Door Hinged Window Screen
407CE	22	Commercial Shelving Package
4071C	3	GM Side Door Sliding Window Screen
4071F	3	Ford E-Series Side Door Sliding Window Screen
4071T	3	2015+ Low Roof Ford Transit Side Door Sliding Window Screen
4072C	3	GM Rear Door Hinged Window Screen
4072F	3	Ford E-Series Rear Door Hinged Window Screen
4073T	3	2015+ Low Roof Ford Transit Rear Door Hinged Window Screen
4075T	3	2015+ Low Roof Ford Transit Side Door Sliding Window Screen
4076T	3	2015+ Mid/High Roof Ford Transit Rear Door Hinged Window Screen
4079T	3	2014+ Ford Transit Connect Rear Door Hinged Window Screen
40804	33	Single Clamp & Lock Rack
40813	33	Clamp & Lock Mechanism Only
40815	34	Clamp & Lock 6' Step Ladder Bracket
40816	34	EZ Drop Down 6' & 8' Step Ladder Bracket
40817	34	EZ Drop Down Rack Extender
40819	35	2 Crossbar Rack Kit
40821	35	2 Crossbar Rack
40822	35	3rd Middle Crossbar for #40821
40823	35	2 Crossbar Rack - Rain Gutter Mount
40824	35	3rd Middle Crossbar for #40823
40825	35	2 Crossbar Rack Kit

PART	PG	DESCRIPTION
40829	35	Rear Roller Bar
40830	35 & IBC	Retractable Ratchet Straps for #40821 & #40822
40850	35 & IBC	Retractable Ratchet Straps for #40823 & #40824
40870	36	Pro II Heavy-Duty Material Rack Feet & Bars Kit with Rear Roller
40873	33	Single Clamp & Lock Rack
40880	36	Pro II Heavy-Duty Material Rack Side Channel Kit
40893	34	Emergency Light Mount for 409xx
40903	33	Single Clamp & Lock Rack
40913	32	EZ Drop Down Ladder Rack Mechanism Only
40923	32	Single EZ Drop Down Rack
40933	32	Single EZ Drop Down Rack
40943	32	EZ Drop Down Ladder Rack Mechanism Only
40953	32	Single EZ Drop Down Rack
40963	32	EZ Drop Down Ladder Rack Mechanism Only
4097T	32	Single EZ Drop Down Rack
40973	32	Single EZ Drop Down Rack
40983	32	Single EZ Drop Down Ladder Rack Mechanism Only
4099T	32	Single EZ Drop Down Rack
40993	32	Single EZ Drop Down Rack
41NVH	18	General Service Package
41PML	18	General Service Package
41PMS	18	General Service Package
41SPH	18	General Service Package
41SPL	18	General Service Package
41TCL	25	Deluxe Commercial Shelving
41TCS	26	General Service Package
41TLL	13	General Service Package
41TLM	18	General Service Package
41TRL	13	Tradesman Service Package
41TRM	18	General Service Package
42PML	20	Electrical Contractor Package
42PMS	20	Electrical Contractor Package
42TCL	26	General Service Package
42TLL	15	Electrical Contractor Package
42TLM	20	Electrical Contractor Package
42TRL	16	General Contractor Package
42TRM	20	Electrical Contractor Package
43PML	19	Security Package
43PMS	19	Security Package
43TCL	27	Plumbing Package
43TLL	17	Security Package
43TLM	19	Security Package
43TRL	12	Commercial Bin Package
43TRM	19	Security Package
44NVL	13	General Service Package
44PML	19	Cable Package
44PMS	19	Cable Package
44TCL	26	Electrical Contractor
44TLL	17	Cable Package
44TLM	19	Cable Package
44TRL	13	General Service Package
44TRM	19	Cable Package
45NVH	20	HVAC Package
45PML	20	HVAC Package
45PMS	20	HVAC Package
45SPH	20	HVAC Package
45SPL	20	HVAC Package
45TCL	25	HVAC Package
45TLL	14	Heating & A/C Repair Package

PART	PG	DESCRIPTION
45TLM	20	HVAC Package
45TRL	14	Electric & Gas Appliance Repair
45TRM	20	HVAC Package
46NVL	14	Heating & A/C Repair Package
46PML	21	EZ All Trades Package
46PMS	21	EZ All Trades Package
46SPH	21	EZ All Trades Package
46SPL	21	EZ All Trades Package
46TCL	27	Telecom Package
46TLM	21	EZ All Trades Package
46TRL	14	Heating & A/C Repair Package
46TRM	21	EZ All Trades Package
4700C	9	GMC Cab Steps
4700F	9	Ford E-Series Cab Steps
4700T	9	Transit Cab Steps
4701C	9	GMC Passenger Area Setp
4701F	9	Ford E-Series Passenger Area Step
4701T	9	Transit Passenger Area Step
4702T	9	Transit Long Wheel Base Passenger Area Step
47PML	21	America's Most Popular
47PMS	21	America's Most Popular
47TCL	24	Commercial Shelving Package - Wire Partition
47TCS	24	Commercial Shelving Package - Wire Partition
47TLL	16	America's Most Popular
47TLM	21	America's Most Popular
47TRL	15	EZ General Service
48150	6	Extra Shelf for #48520 & #48524
48160	6	Extra Shelf for #48420 & #48424
48170	6	Extra Shelf for #48320 & #48324
48180	6	20" L Shelf Lip
48190	6	10" L Shelf Lip
48200	7	20" W Plastic Bin Module
48210	7	10" W Plastic Bin Module
48220	6	42" W Floor Angle/Shelf Lip
48230	6	52" W Floor Angle/Shelf Lip
48240	7	20" W Plastic Small Parts Bin Module
48250	7	10" W Plastic Small Parts Bin Module
4826L	5	26" W x 14" D x 43" H Shelf Unit
48320	5	32" W x 14" D x 46" H Shelf Unit
48324	5	32" W x 14" D x 60" H Shelf Unit
4832A	5	32" W x 12" D x 43" H Aluminum Shelf Unit
4832L	5	32" W x 14" D x 43" H Shelf Unit
48420	5	42" W x 14" D x 46" H Shelf Unit
48424	5	42" W x 14" D x 60" H Shelf Unit
48520	5	52" W x 14" D x 46" H Shelf Unit
48524	5	52" W x 14" D x 60" H Shelf Unit
4862A	5	62" W x 12" D x 43" H Aluminum Shelf Unit
48TLL	15	EZ General Service Package
48TRL	16	America's Most Popular Package
80070	34	Crossbar Cargo Rack
80080	34	Crossbar Cargo Rack

(800) 343-7486

P48 VISIT [KARGOMASTER.COM](http://KARGOMASTER.COM) FOR MORE INFORMATION

**KARGO MASTER**  
WE PUT EVERYTHING WITHIN REACH

# TRUCK PRODUCTS Index by Part Type & ID

PART	PG	DESCRIPTION
01000	39	Legs & Bars (Trucks w/o Shell)
01040	39	Legs & Bars (Trucks w/o Shell)
01110	45	Legs & Bars (Trucks w/Shell)
01130	38	Legs & Bars (Trucks w/Shell)
04000	39, 45	Pro II Heavy-Duty Cargo Rack
06000	39, 45	Pro II Heavy-Duty Cargo Rack
06010	39, 45	Pro II Heavy-Duty Cargo Rack
06020	39, 45	Pro II Heavy-Duty Cargo Rack
30050	44	Medium-Duty Econo Cargo Rack
30060	46	Medium-Duty Econo Cargo Rack
30090	44	Quick Pac Utility Rack
31000	47	Lockable Conduit Box
31020	47	Load Dividers
31040	47	Bed Support Full-Sized Truck
31080	47	Window Guard
31080C	47	Clamps to Attach Window Guard
31110	47	Extra Crossbar
31150	47	Utility Hook
31160	47	Cooler Mount
31170	47	Emergency Light Mount Bracket

PART	PG	DESCRIPTION
31270	40, 47	Pro II & III Standard Full Length Bed Rails 72"
31280	40, 47	Pro II & III Standard Full Length Bed Rails 78"
31300	40, 47	Pro II & III Standard Full Length Bed Rails 96"
31490	47	Retractable Ratchet Straps
31530	47	6" Taller Legs for #0111-0
31540	47	6" Taller Legs for #0113-0
31570	47	Front Bar Wind Deflector
31572	47	Front Bar Wind Deflector
31600	41, 47	Extra Crossbar
31650	47	6" Taller Legs for #80030
31690	41, 47	Extra Crossbar for Pro IV
31730	47	Lockable Quick Clamp Ladder Holder
4093C	46	Single Commercial Cap EZ Drop Down Ladder Rack
40813	43, 46	Clamp & Lock Ladder Rack Mechanism Only
40913	43	Covered Body EZ Drop Down Mechanism Only
40943	46	Commercial Cap EZ Drop Down Mechanism Only

PART	PG	DESCRIPTION
40963	43	Covered Body EZ Drop Down Mechanism Only
40983	43	Covered Body EZ Drop Down Mechanism Only
47953	43	Single Covered Body EZ Drop Down Ladder Rack
47973	43	Single Covered Body EZ Drop Down Ladder Rack
47993	43	Single Covered Body EZ Drop Down Ladder Rack
70020	42	Service Body Legs & Bars
70023	42	Service Body Legs & Bars
70030	46	Platform Body Legs & Bars
70060	42	Top of Box Mount Kit
78000	42, 46	Pro II Heavy-Duty Cargo Rack
78003	42	Pro II Heavy-Duty Cargo Rack
78010	42	Pro II Heavy-Duty Cargo Rack
78013	42	Pro II Heavy-Duty Cargo Rack
79000	42, 46	Pro II Heavy-Duty Cargo Rack
79010	42, 46	Pro II Heavy-Duty Cargo Rack
80000	40	Pro III Medium-Duty Cargo Rack
80020	40	Pro III Medium-Duty Cargo Rack

PART	PG	DESCRIPTION
80030	42, 45	Pro III Medium-Duty Cargo Rack
80070	45, 46	Top Mount Rack for Trucks w/Commercial Caps
90000	41	Pro IV Aluminum Cargo Rack

## TIE YOUR LADDERS, OR CARGO, DOWN EASILY AND SECURELY



### Kargo Master Retractable Ratchet Straps

#### THE WORLD'S BEST CARGO RETENTION SYSTEM

Kargo Master offers three configurations of its popular ratchet straps to use in combination with most of its truck and van cargo racks. Look at these outstanding features:

- Securing ladders, sheet goods or building materials has never been easier.
  1. Release the retractable ratchet strap.
  2. Wrap around your cargo and hook into the rack upright.
  3. Flick the ratchet lever and BAM, everything is locked down.
- No more fumbling with loose bungee cords or straps.



THE KARGO MASTER UPRIGHTS ARE SPECIALLY MADE TO MOUNT THESE RATCHET STRAPS

31500	Retractable Ratchet Straps <b>FOR TRUCKS &amp; VANS</b> (Set of 2)
-------	--

**1" x 6'. Mounts to the brackets. Use with the following products:**

**#80070, #80080, #40880+40870**

31490	Retractable Ratchet Straps <b>FOR TRUCKS &amp; VANS</b> (Set of 2)
-------	--

**2" x 7'. Mounts to the brackets. Use with the following products:**

**#80000, #80020, #80030, #80070, #80080, #40880+40870 and all PRO II truck racks.**

40850	Retractable Ratchet Straps <b>FOR RACKS WITH UPRIGHT PLATES</b> (Set of 2)
-------	--

**2" x 7'. Mounts to the upright plates that are attached to the rain gutter. Fits the following products:**

**#40823 & #40824. Ratchet Straps included with #40825.**

40830	Retractable Ratchet Straps <b>FOR CARGO VANS WITH UPRIGHTS</b> (Set of 2). See page 35 for photo and crossbar rack details.
-------	---

**1" X 6'. Mounts to the crossbar end plate. Fits the following:**

**#40821 & #40822. Ratchet straps included with #40819.**



WE PUT EVERYTHING WITHIN REACH.

# Truck Racks & Cargo Van Equipment

## 2017 PRODUCTS CATALOG

Download digital catalogs:

[kargomastercompanies.com/catalogs](http://kargomastercompanies.com/catalogs)

### Industry Best Warranty

#### LIFETIME STRUCTURAL WARRANTY

If your product cracks, bends, or structurally fails in any way, Kargo Master, at its option and expense, will either replace or repair the product.

#### 3 YEAR COMPONENT WARRANTY

If any synthetic (e.g. rubber or nylon) or hydraulic (e.g. gas shock) component of your product fails within 3 years of purchase, Kargo Master will provide a replacement component at no cost to you.



CALL US  
**800-343-7486**



○ **HEADQUARTERS**

11253 TRADE CENTER DR., SUITE G  
RANCHO CORDOVA, CA 95742

**WEST COAST WAREHOUSE**

2587 MERCANTILE DR.  
RANCHO CORDOVA, CA 95742



**Facebook**  
<https://facebook.com/kargomaster>

DISTRIBUTED BY: