

Beech

Engineering & Manufacturing

B-2000



2000 lb capacity

Standard oversize roller bearing phenolic 6" x 2" load wheels and 5" x 2" steering casters provide ease of movement

Each machine is factory proof tested to 150% of load

Safety swivel hook is attached directly to boom

Safety by-pass relief valve is standard to prevent dangerous overloading

Optional floor lock available



2 year warranty on entire machine, 5 year on frame weldment

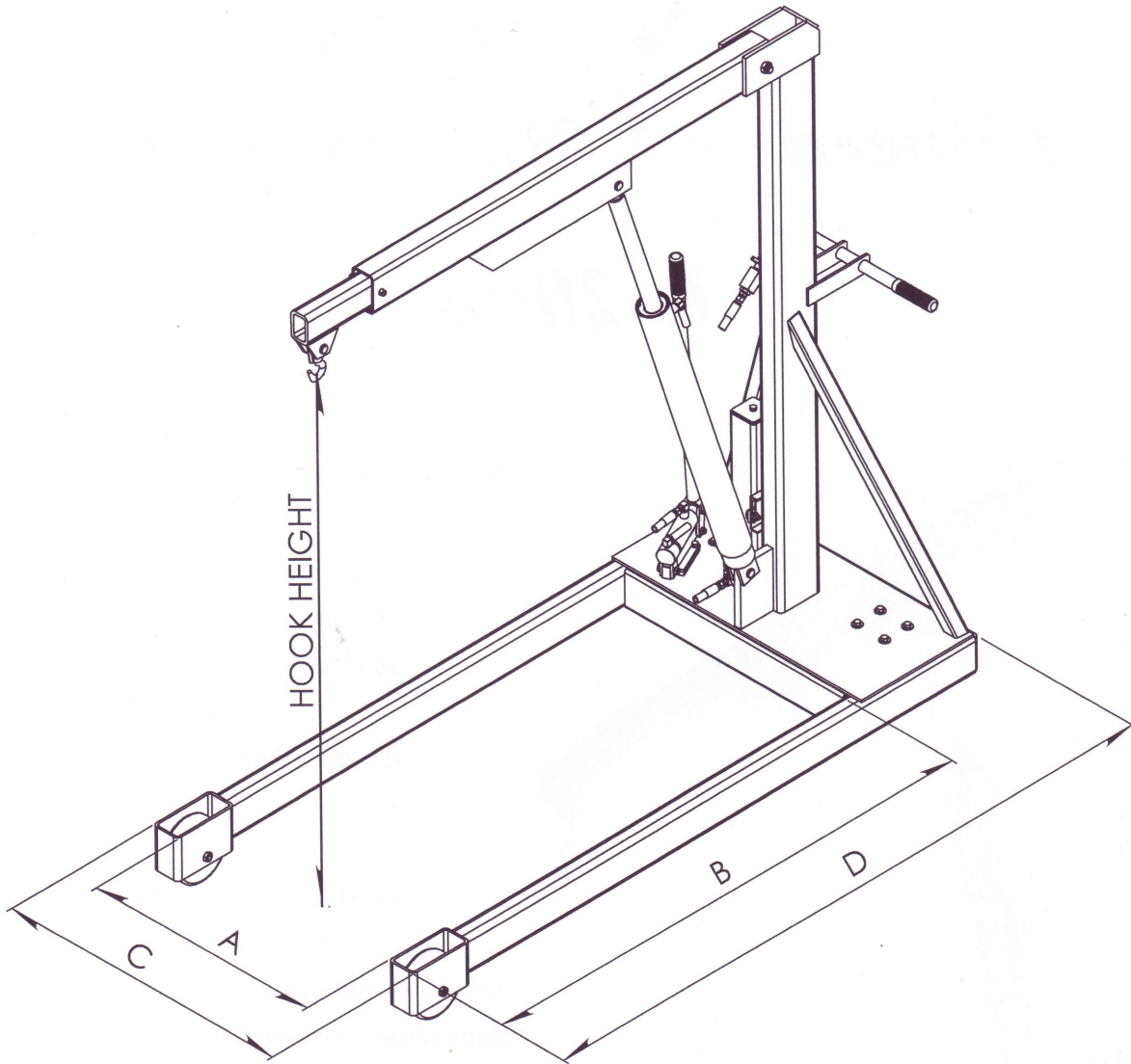
P.O. Box 947 • New Philadelphia, Ohio 44663 • Phone 1-800-726-9491 • Fax 330-343-3037

www.beechengineering.com

A Division of



Model B-2000 Hydraulic Floor Crane



Model No.	Pump Type ¹	Machine Weight	Boom Position ²	Hook Capacity	Hook Height ³		Dimensions				
					Min	Max	A	B	C	D	OAH
B-2000	Two Speed Manual	415 lbs.	50 1/2"	2000 lbs.	29"	98 1/2"	24 1/2"	55 1/4"	32 1/4"	69 3/4"	67 1/4"
			61 1/4"	800 lbs.	23 1/2"	106"					
			72"	400 lbs.	17"	114"					
			82 1/2"	300 lbs.	10"	121"					

¹ Measured from the front of base channel to centerline of load hook.

² Add 9" to maximum hook height to assure overhead clearance.

Beech Engineering & Manufacturing
P.O. Box 947 * New Philadelphia, Ohio 44663 * Phone 800-726-9491 * Fax 330-343-3037
www.beechengineering.com